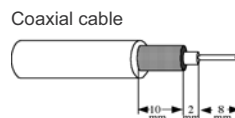
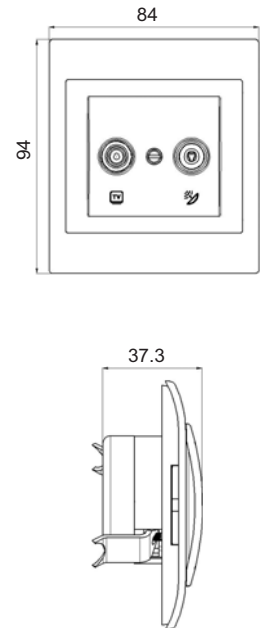
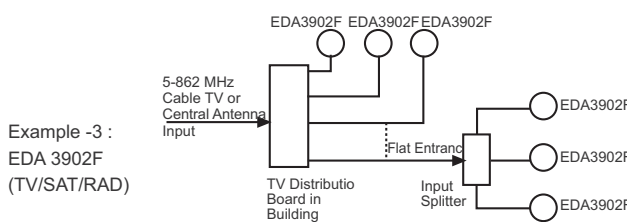
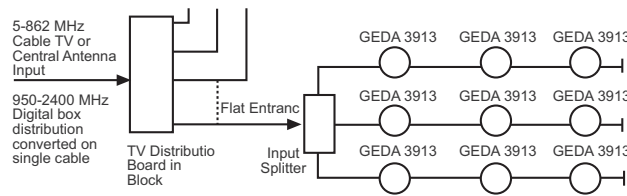


- 1) Cover
- 2) Transparent part
- 3) Frame
- 4) Screw of the cover
- 5) Base
- 6) Screw of the claw
- 7) Tightening screw
- 8) Cable fixing plate
- 9) Screw of the cable fixing plate



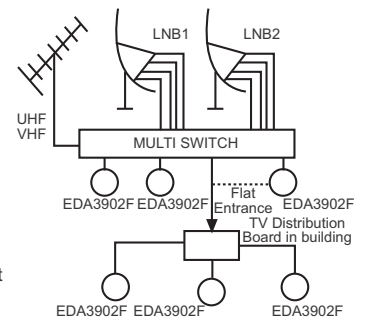
EXAMPLE WIRING DIAGRAMS :

Example 1 : GEDA 3913 (TV/SAT/RAD)



Example 2 : EDA 3902F (TV/SAT/RAD)

- If there will be more than one socket in a flat at multiswitch applications, a star-shaped distribution should be provided by installing a splitter at the flat entrance.
- A throughpass satellite socket should never be used with multiswitch applications.
- Only one satellite receiver can be operated on the same way simultaneously.



Specifications:

- CE Approved
- Convenient for shared antenna and SAT systems.
- F socket output for satellite connection.
- Screening up to 470 MHz ³ 75 dB ; up to 470-862 MHz ³ 65 dB; up to 950- 2400 MHz ³ 55 dB
- Convenient for thin coaxial cables and other coaxial cables with max. 5.5 mm exterior isolation.
- In accordance with IEC 169-2, EN50083-1/A1, EN50083-2/A1.

outgoing in the wall case. After leaving 15 cm piece in the case, peel off the outer isolation sheath at the tips and place the conductor in the middle to its socket in the base plate and tightening screw it tightly (7). (Pay attention that the screening featured external way on the cable (Passive Way) is under the cover and not touching to the cover.) Then, place the baseplate (5) in to the wall case and fix it by tightening the pinching screws (6). Primarily, remove the cover screw on the baseplate to install the upper set (4), then mount the transparent components (2) onto the frame. Mount the upper cover on the frame as seen in the figure and after placing it so as to match the screw holes on the upper cover and the plate, fix them with the cover screw removed from the baseplate by using an appropriate screwdriver.

Wiring Diagram:

Open the cable fixing plate (8) by loosening the screw on it with a suitable screwdriver. Pay attention to leave minimum 15 cm extra cable to hold the tips of the coaxial cable from the way, incoming and

	RF	TV		SAT
f/MHz	87.5 -108	47-68	174 -470	470 -862
Throughpass Attenuation	1.5	1.5	1.5	2.0
Output Attenuation 13		13	14	14
TV-TV Decoupling		46	40	36
RF-TV Decoupling				48
RF-RF Decoupling		44		
SAT-SAT Decoupling				32

EDA 3902F Terminated TV – Radio – SAT Socket

	RF	TV		SAT
f/MHz	87.5 -108	47-68	174 -470	470 -862
Subscription Loss	2	1.5	1.5	1.5

Warning:

For distribution, use an terminated socket at the end of the column or install a 75 Ohm resistance to the sockets.