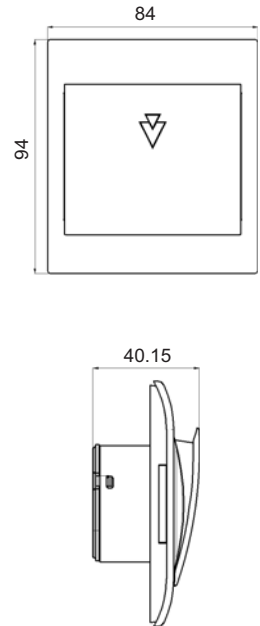
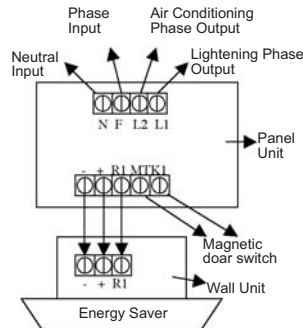


- 1. Cover
- 2. Transparent Part
- 3. Frame
- 4. Base
- 5. Screw Hole

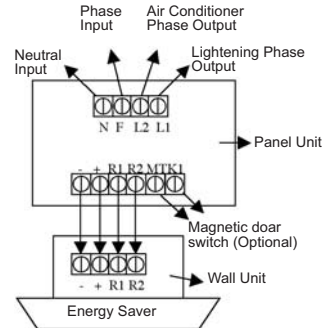


Connection Diagram

With Standard Card



With Air Conditioner Option



Assembly

- 1- The cable connections should be done as shown in the connection diagram.
- 2- Place the base (4) in the mounting box as terminal side down and screw using screw hole (5).
- 3- The transparent parts (2) are placed in the slot on the sides of the frame (3).
- 4- Put the frame (3), on the base (4) and fix the frame to the base.
- 5- Assembly the cover (1), to the frame (3) as shown in the figure.
- 6- Insert the key in order to run the system.

- For demounting, firstly hold the frame

(3) and pull until the frame (3) and the cover (1) together separate from the base.

Working Instructions and Characteristics

- Especially in hotel rooms, used for preventing from energy loss and to provide security in general purpose buildings.
- Energy saver starts the energy when the card is attached into the wall unit (some models of the wall units are with light). Energy is cut off in 15 - 20 seconds after the card is ejected.
- Some continuous working appliances

like minibars can be excluded from the system.

- System has special features like bypass. (When the energy saver is out of order energy is not cut off.)
- Panel unit voltage is 175 - 250V
- Wall unit voltage is 12/24V (Do not apply 220V)
- The relay unit, which can be connected to the fuse outlet, has got two 15A relay. These two belong to lighting and air conditioner. If there is another air conditioner in the room, the third relay need to be connected to the system.
- Panel unit is guided and can be

attached to the fuse panel. (Panel unit dimensions: 8,5 x 7,0 cm)

- Cable between panel unit and wall unit should have minimum 0,50 mm² cross section.
- Sense distance of the magnetic door switch is maximum 1 cm.
- If the magnetic door switch will not be operated, then both terminal boxes are bridged, if not, air conditioner will not start.
- After the electricity cut off, no need to attached the card in to the wall unit again for working of system.