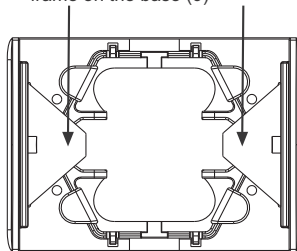
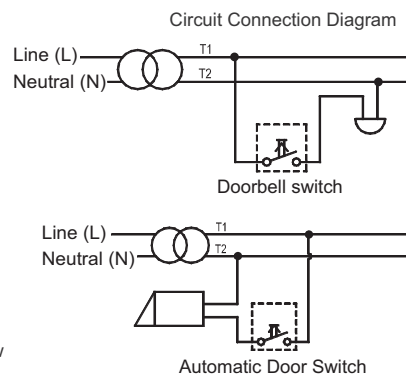


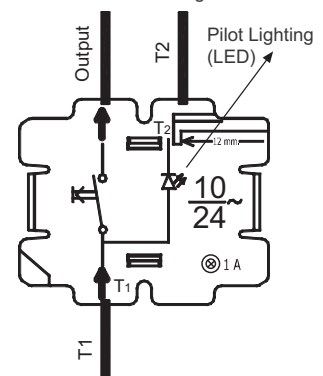
Pressing points for putting the frame on the base (9)



- |                    |                      |
|--------------------|----------------------|
| 1) Button          | 5) Base              |
| 2) Fixing part     | 6) Screw of the claw |
| 3) Lighting tunnel | 7) Tumbler           |
| 4) Frame           | 8) Name Plate        |



Connection Diagram



### Technical Features:

- Single- pole, single- way, push button, 10A 24V~ switch.
- Blue side lighting modules (LEDs) with 5 mA and a life- span of 100.000 hours (~11 years) that can operate up to 24 V~ with external T2 connection

### Assembly:

- 1- The name plate (8) is demounted by pressing on the claws inside the button.
- 2- The cable connections should be done as shown in the connection diagram.
  - T2 connection should be done in order for the LEDs to light up.

3- Place the base (5) in the mounting box and tighten the screws of the claws (6) with an appropriate screwdriver.

4- Place the fixing part (2) to the frame (4). Lighting tunnels (3) should be put in the slot on the side of the frame.

5- Put the frame on the base and fix the frame to the base by pressing on the lighting tunnels as shown in the figure (9).

6- The assembly is completed after the pins inside the button (1) are pushed into the slots on the tumbler (7).