

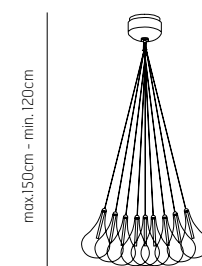


Al subir y bajar el aro de silicona conseguimos variar la forma de luminaria.

By pulling up or down the silicon ring we can modify the external outfit of the luminaire.

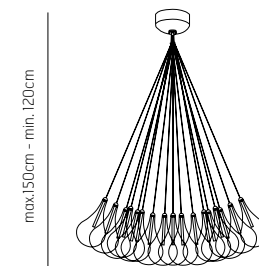
5500/196

5500/376



max. 150cm - min. 120cm

70 cm



max. 150cm - min. 120cm

100 cm

Drop Led DESIGN BY CRISTIAN CUBIÑA

· PANTALLA cristal borosilicato soplado
SHADE borosilicate blown glass

· ESTRUCTURA hierro
STRUCTURE iron

· 5500/196 cromo chrome 19 LED 1W
· 5500/376 cromo chrome 37 LED 1W

LED 1W 3500K

CE IP LED 3500K incluida / Transformador incorporado
3500K LED included / Transformer included



Drop Led DESIGN BY CRISTIAN CUBIÑA

- PANTALLA cristal borosilicato transparente
SHADE borosilicate transparent glass
- ESTRUCTURA hierro
STRUCTURE iron

- 5501/016 cromo chrome LED 1W
- LED 1W 3500K

CE IP20 LED 3500K incluido / Transformador incorporado
3500K LED included / Transformer included





Al subir y bajar el aro de silicona conseguimos variar la forma de luminaria.

By pulling up or down the silicon ring we can modify the external outfit of the luminaire.

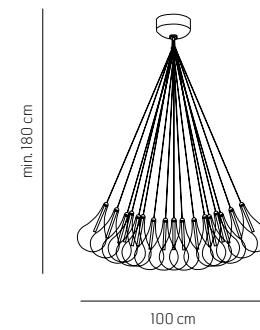
Drop DESIGN BY CRISTIAN CUBIÑA

· PANTALLA cristal borosilicato transparente
SHADE borosilicate transparent glass

· ESTRUCTURA hierro
STRUCTURE iron

· S100/376 cromo chrome
G4 37x12V 10W

· S100/376 XL estructura especial con 350cm de cable
special structure with 350 cm cable length
G4 37x12V 10W

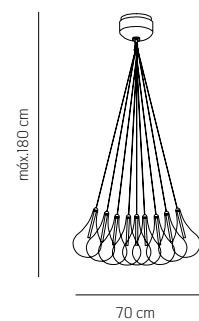


CE IP20 Transformador electrónico
Electronic transformer



Al subir y bajar el aro de silicona conseguimos variar la forma de luminaria.

By pulling up or down the silicon ring we can modify the external outfit of the luminaire.



Drop DESIGN BY CRISTIAN CUBIÑA

· PANTALLA cristal borosilicato transparente
SHADE borosilicate transparent glass

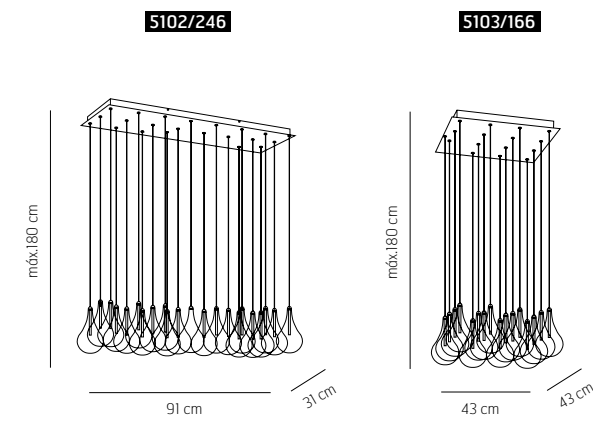
· ESTRUCTURA hierro
STRUCTURE iron

· S100/196 cromo chrome
G4 19x12V 10W

· S100/196 XL estructura especial con 350cm de cable
special structure with 350 cm cable length
G4 19x12V 10W

CE   Transformador electrónico
Electronic transformer





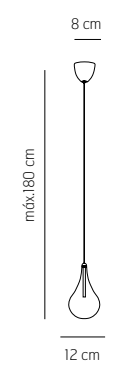
Drop DESIGN BY CRISTIAN CUBIÑA

- PANTALLA cristal borosilicato transparente
SHADE borosilicate transparent glass
- ESTRUCTURA hierro
STRUCTURE iron

- 5102/246 cromo chrome
- G4 24x12V 10W

- 5103/166 cromo chrome
- G4 16x12V 10W

CE  Transformador electrónico
Electronic transformer



Drop DESIGN BY CRISTIAN CUBIÑA

- PANTALLA cristal borosilicato transparente
SHADE borosilicate transparent glass
- ESTRUCTURA hierro
STRUCTURE iron

- 5101/016 cromo chrome
- G4 12V 20W

CE Transformador electrónico
Electronic transformer