

Thea

www.thea.com.tr

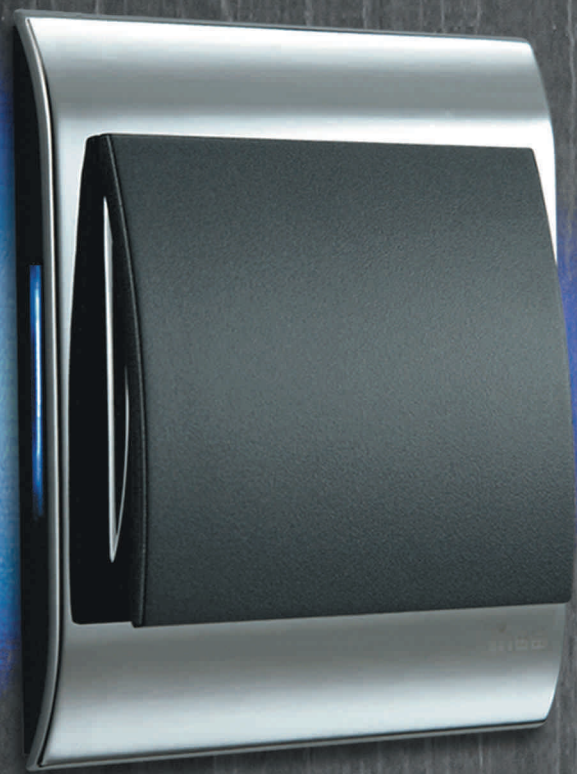
V:KO

CALL CENTER
+90216444 VIKO
(8456)

VİKO Elektrik ve Elektronik Endüstrisi San. ve Tic. A.Ş.
Abdurrahmangazi Mah. Ebubekir Cad. No: 44 34887 Samandıra İstanbul / Türkiye
P: +90 216 564 55 55 pbx F: +90 216 564 55 44
thea@thea.com.tr



Thea



A brilliant discovery: “Thea”

VIKO, has embarked on an adventure to provide a new alternative, a product that is technologically and aesthetically different and functionally superior in switch and socket series. As a result of one and a half years of intense effort shown by 15 people design team as well as the R&D Team, VIKO was able to accomplish a first in the world, Thea! With its unprecedented design and blue light.

Thea that has given rise to an evolution in switch and socket technology, and is considered as “a brilliant innovation”, has been designed to render some color to human life with its fascinating blue light and aesthetic design that contributes a distinguishing flair to different locations and environments.

Thea



A distinguishing elegance

Thea is a special choice for special lives, lots of new design elements that are delicately thought and implemented such as its floating switch structure and fast installation connectors that do not require any screw drivers.







Options in
harmony with
all tastes.



35 different combinations that consist of 12 different frame and 8 cover colors, make possible for Thea to offer solutions unique to each and every location.





A bright design...



Everything you look for and desire, is offered to you by Thea series with their distinguished coating and functional qualities!

Thea

Color Options

Inox



Inox Fume



Inox White



Inox Claret



Inox Green



Inox Lilac



Inox Orange

Inox Una



Inox Una Fume

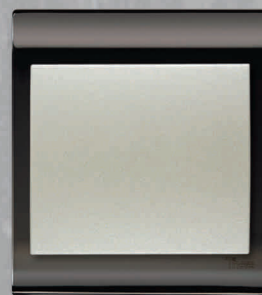


Inox Una White

Una



Una Fume



Una White

Inox Matt



Inox Matt Fume



Inox Matt White



Inox Matt Dore

Chrome Matt



Chrome Matt Fume



Chrome Matt White



Chrome Matt Lilac

Chrome

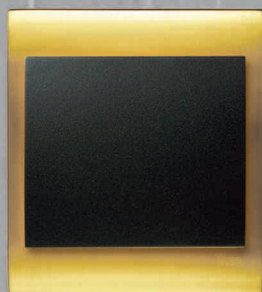


Chrome Fume



Chrome White

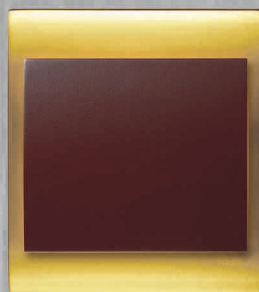
Inox Gold



Inox Gold Black



Inox Gold Dore

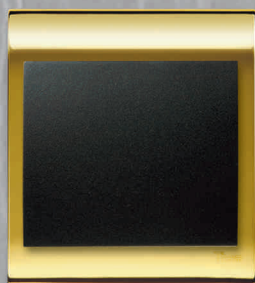


Inox Gold Claret



Inox Gold White

Gold



Gold Black



Gold Dore



Gold Claret

Gold Matt



Gold Matt Black

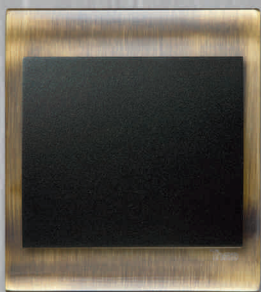


Gold Matt Dore



Gold Matt Claret

Antique



Antique Black

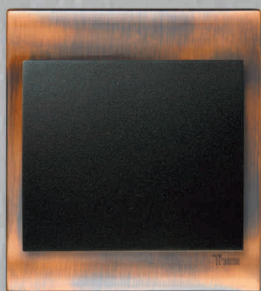


Antique Dore



Antique Claret

Antique Copper



Antique Copper Black



Antique Copper Claret

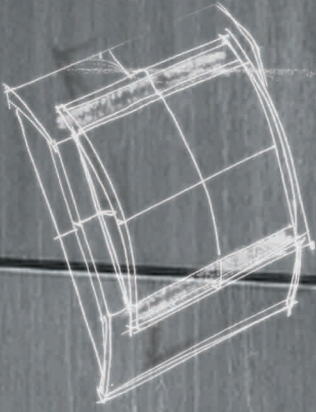
Natural



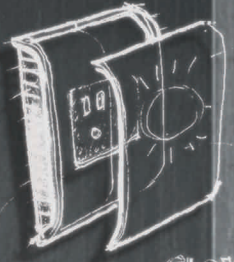
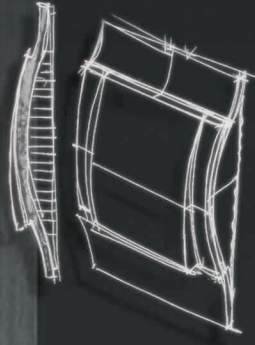
Natural Fume



Natural White



+ YALN...
+ TAYIZ...
+ MÖZEN...



THIN PC

Custom
etched
picture

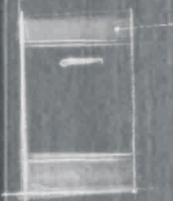
GLOW
GLO

glow

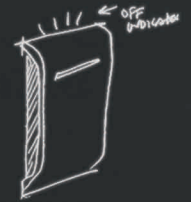
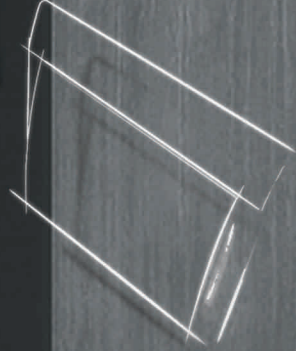
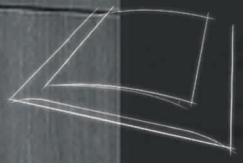
ALUMINIUM
METALIC BOX...



LED

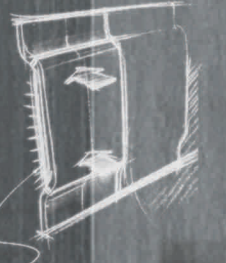


DUVARDAN SIFIR
BASKANIN
TAKILAN
KALINLIKIN
SIFIRISEN
YÜREKCE...



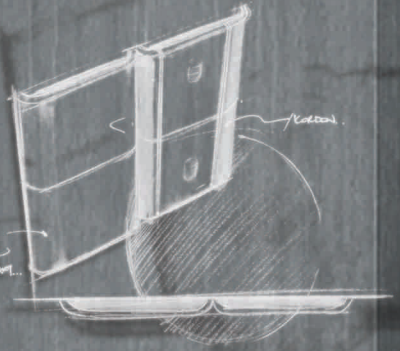
OFF
indicator

ALUMINIUM
METALIC BOX...



LED ISIK...

ALUMINIUM...



ALUMINIUM



Thea Difference

LED Technology in Thea



One of the most important visual difference created by Thea is the LED illumination that was a significant innovation of the last century as a light source. LED technology has a very wide and privileged area of application from automotive industry to the space technology. And LEDs that emit blue light comprise the prestigious line of this series that are the hardest to manufacture. LED illumination has also become an essential item of decoration with its soft and decorative light. Like all other materials that are used in the manufacturing of Thea, it does not contain any environmentally hazardous substance.

LEDs are exceptional light sources with their long product life but low energy consumption that is negligible. Each LED works on 2 m Ampere voltage on the average. The energy consumption of a LED connected to a switch would even be lower than 1 kW per month. This value indicates a much lower energy consumption compared to other lighting products.





New Products from Thea



Delay Switch

This type of switch is usually preferred at places like kitchens, long corridors and bedrooms and provides for the lights to be shut of in 14 seconds, a delay that would let you complete whatever you are doing.



Audio Switch with LCD Display

Thea combines two functions in one product: 1. Channel selector: Five different music sources can be selected. 2. Audio Control Switch: The volume of those channels can be adjusted.



Touch-Sensor Dimmer

This switch works with the static electricity on your fingertips and it is fully touch-sensitive. When the switch is touched for less than 0.4 seconds it will put the light on or off. However, if the contact with the switch is maintained longer, then the dimming effect will be functional and the intensity of the light would either be decreased or increased.



Hotel Room Warning System

This system is made up of an external illuminated warning system with a bell button and an internal commutator unit. When the guests wish not to be disturbed, they will just press "Do Not Disturb" button on the internal control unit and the "Do not Disturb" sign with red light on the outside unit would be activated. When they want their room to be cleaned, it would be sufficient to press "Make up Room" button on the internal control unit and the "Make up Room" sign with green light on the outside unit would be activated.



Movement Detector

Thea switch with movement sensor makes possible for the lights to be on and off automatically when they sense movement without necessity of pressing any button. The distance and timing of the product are adjustable.

Product Series



Switch
B 9076XX01
M 90500501



Delay Switch
B 9076XX70
M 90500570



Light Switch
B 9076XX03
M 90500503



Automatic Door Switch
B 9076XX05
M 90500505



Bell Switch
B 9076XX06
M 90500505



Bell Switch with Label
B 9076XX27
M 90500527



Permutator
B 9076XX31
M 90500531



Veavien
B 9076XX04
M 90500504



Commutator Veavien
B 9076XX17
M 90500517



Commutator
B 9076XX02
M 90500502



Dual Switch
B 9076XX02
M 90500544



Hotel Warning Unit Commutator
B 9076XX88
M 90500588



Single Button
Blind Control Switch
B 9076XX72
M 90500572



Touch-Sensor Dimmer
B 9076XX76
M 90500576



Commutator Touch-Sensor Dimmer
B 9076XX71
M 90500571



Rotary Dimmer
B 9076XX20
M 90500569



Channel Selection Switch
B 9076XX82
M 90500582



Audio Switch with Transformer
B 9076XX84
M 90500584



Fan Control Switch
B 9076XX98
M 90500598



Movement Detector
C 9076XX90
M 90500589

Meaning of XX Code:
 XX=10 BLACK XX=11 GRAY XX=12 BURGUNDY XX=13 DORE,
 XX=15 WHITE XX=16 GREEN XX=17 ORANGE XX=18 LAVENDER

B / C; Button / Cover Codes

M; Mechanism Codes



Socket
C 9076XX43
M 90500543



Earthed Socket
C 9076XX42
M 90500542



UPS / French Type Earthed Socket
C 9076XX45
M 90500545



Earthed Socket with Lid
C 9076XX12
M 90500542



Double Socket
C 9076XX55
M 90500577



Double Earthed Socket
C 9076XX56
M 90500578



Double UPS / French Type Earthed Socket
C 9076XX57
M 90500579



TV Socket
C 9076XX09
M 90500560/65



TV – Radio Socket
C 9076XX21
M 90500521/26



Satellite Socket (TV - SAT)
C 9076XX85
M 90500585/86/87



Satellite Socket (SAT - TV - RD)
C 9076XX41
M 90500541/46



Numeric Telephone Socket (RJ 11)
C 9076XX13
M 90500513



Dual Numeric Telephone Socket
 (2 X RJ 11)
C 9076XX33
M 90500533



Data - Numeric Telephone Socket
 (RJ 45 - RJ 11)
C 9076XX35
M 90500535



Data Socket (RJ 45)
C 9076XX32
M 90500532



Double Data Socket (2xRJ 45)
C 9076XX34
M 90500534



Audio Socket Outlet
C 9076XX37
M 90500537



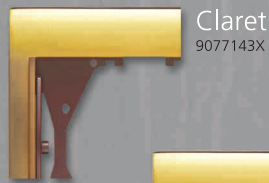
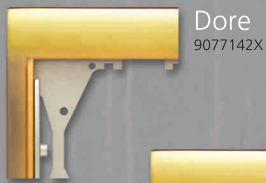
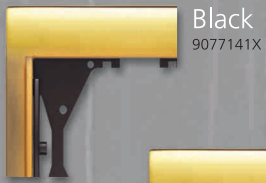
Audio Switch with LCD
C 9076XX54
M 90500581



Energy Saver (Excluding Relay)
C 9076XX51
M 90500573

Frame Color Options

Inox Gold



Una



Inox Una



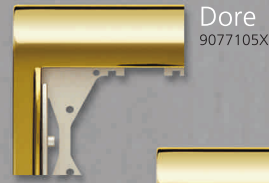
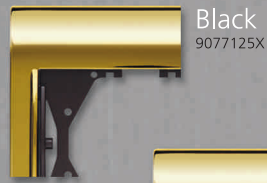
Inox



Chrome Matt



Gold



Inox Matt

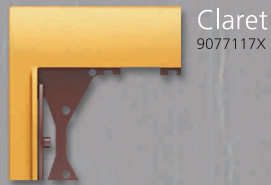
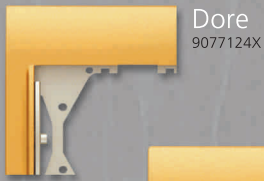
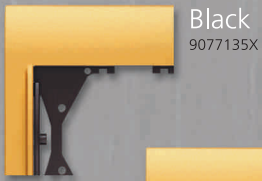


Meaning of X Code:

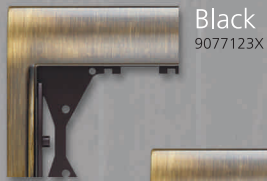
- | | | | |
|-------------------------------|--------------------------------|------------------------------|---------------------------------|
| 1 = SINGLE FRAME | 2 = DOUBLE HORIZONTAL FRAME | 3 = DOUBLE VERTICAL FRAME | 4 = THREE GANG HORIZONTAL FRAME |
| 5 = THREE GANG VERTICAL FRAME | 6 = FOUR-GANG HORIZONTAL FRAME | 8 = FLUSH MOUNT DOUBLE FRAME | 9 = SINGLE FRAME FOR LCD |

Note: Delay switch and the Audio switch with LCD display have special single frames and these products are not used in multi-frame applications.

Gold Matt



Antique



Antique Copper



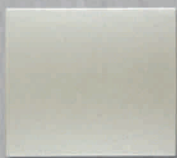
Chrome



Naturel



Cover Color Options



White



Dore



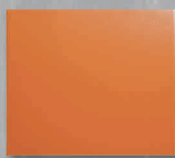
Fume



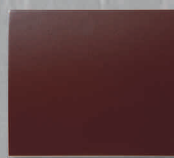
Black



Lilac



Orange



Claret



Green



In frame applications of Thea a special alloy that is Zamak 5, is used. The main components of Zamak 5, which is used in products that are visually distinguished are zinc, aluminum, magnesium and copper. The frames are manufactured by using a special cast molding system and as such matt, shiny and natural coatings can be chosen.



Horizontal Frames



Double Horizontal Frame



Three-gang Horizontal Frame



Four-gang Horizontal Frame

Vertical Frames

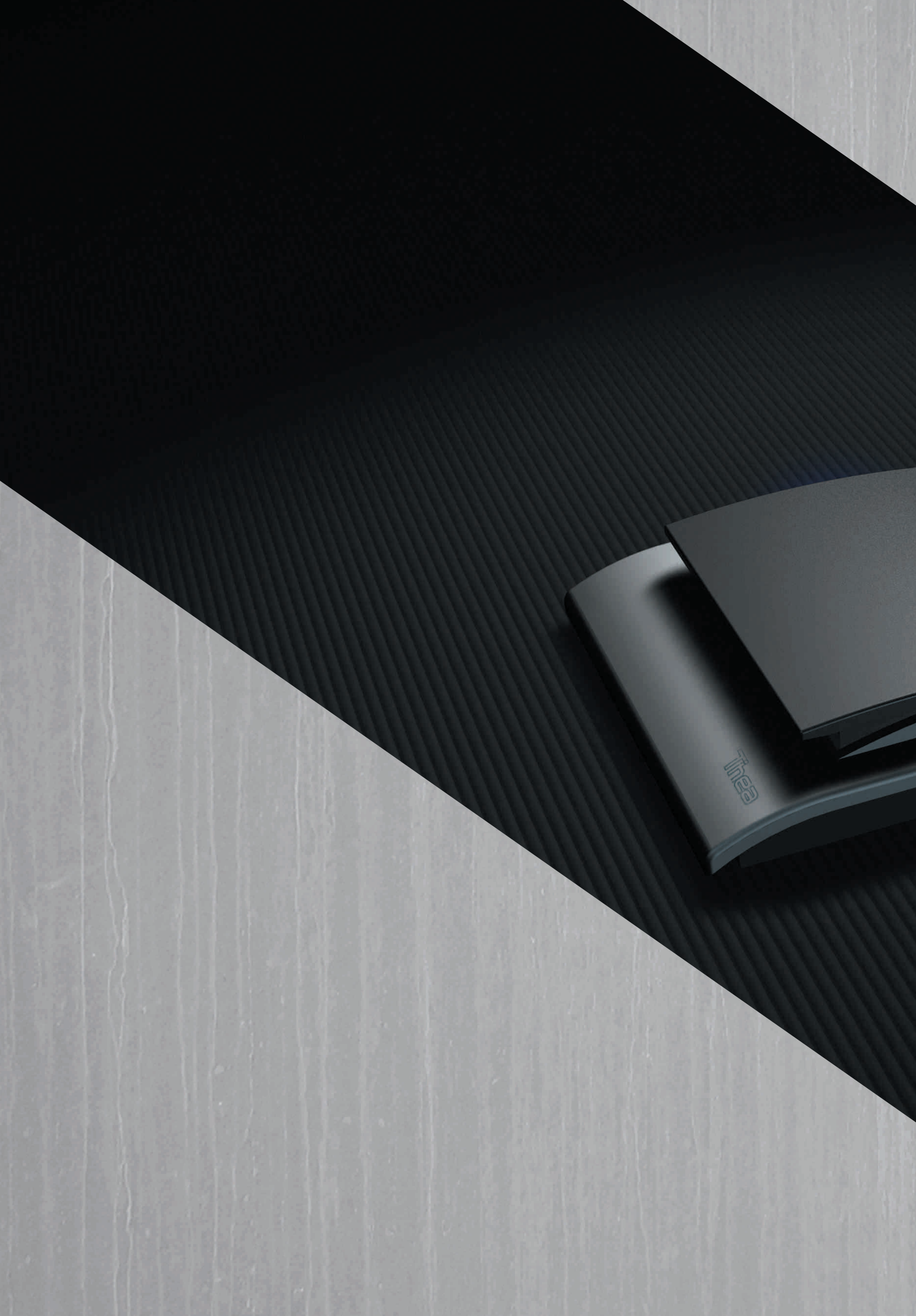


Double Vertical Frame



Three-gang Vertical Frame

Note: Delay switch as well as the Audio switch with LCD display have special single frames and these products are not used in multi-frame applications.



Technical Part

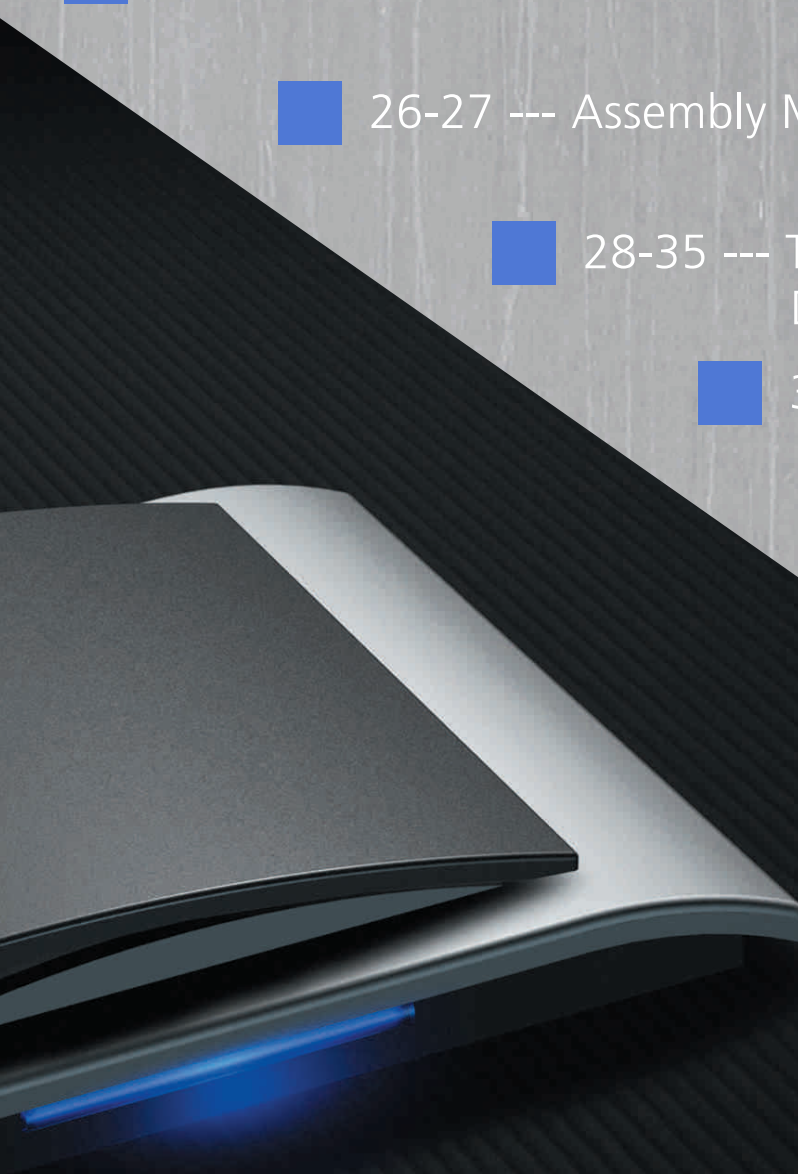
■ 24-25 --- Utilization Advantages of Thea

■ 26-27 --- Assembly Method

■ 28-35 --- Technical Specifications and Connection Diagrams

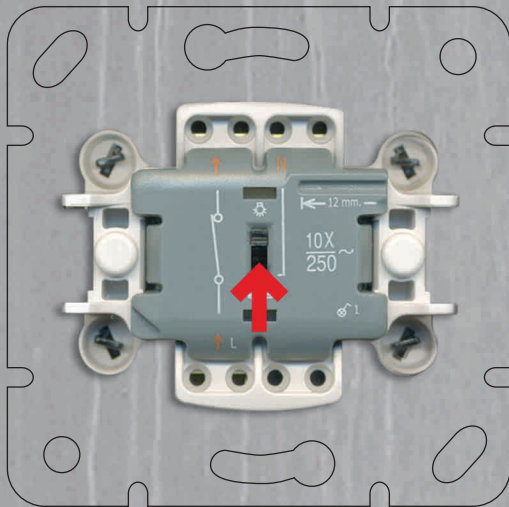
■ 36 --- Frame Measurements

■ 37 --- Code Packaging Information

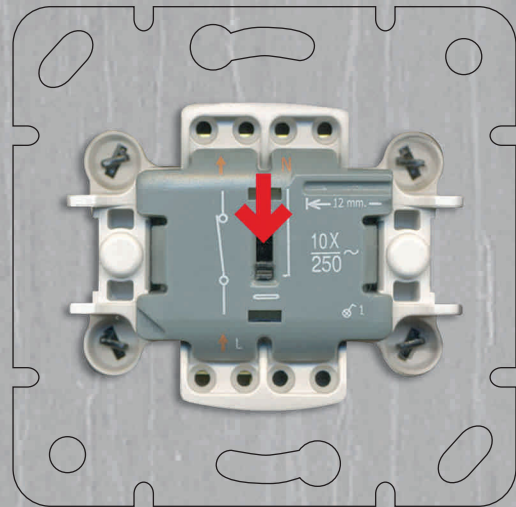


Thea Manual for different lighting products

Thea Illuminated Switches provide solutions that ensure problem-free usage with different lamp options such as incandescent filament Lamp (Tungsten), fluorescent or energy saving lamps or lighting products with LED.



Switch position for incandescent filament Lamp



Switch position for Fluorescent or energy saving Lamp

The usage of the LED switch:

Single pole switch and Veavien:

If incandescent filament lamp (tungsten lamp) is used as lighting product:
Switch will be put into lamp position; the LEDs will be switched off when incandescent filament lamp is on and when the lamp is off the LEDs will turn on.
Switch will be put into fluorescent position if fluorescent energy saving lamps or lighting products with LED are used as lighting source: if a neutral line is connected LED will be on all the time.

Commutator and Permutator (intermediate veavien):

When used with incandescent filament lamp, the switch will be put into lamp position and when used with fluorescent group lamps the switch will be put into OFF position.

Light Control Switch (no switch):

If a phase is established at the inlet of L2, then LEDs will stay on continuously, if not then the LEDs will be off.

Control Switches for Bell, Labeled Bell and Automatic Door (no switch):

If a line is connected to L2 inlet from the transformer then the LEDs will stay on continuously, if not then the LEDs will be off.

Shutter Control switch (no switch) :

If there is a neutral connection then the LEDs will stay on continuously, if not then the LEDs will be off.

Note: With Thea light control switches; by using a dimmeable electronic ballast, the fluorescent lamps and energy saving lamps can be dimmed.

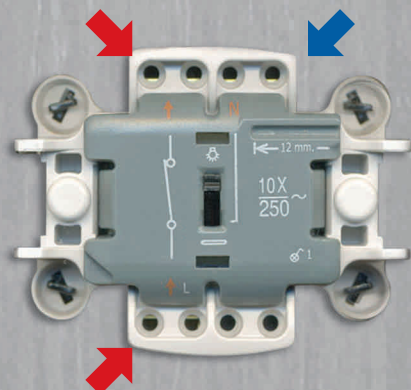
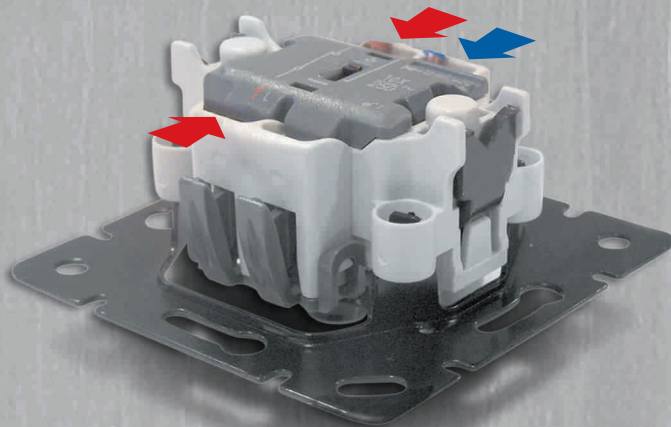
LED lighting is available only in switch group products (excluding commutator veavien).

Child Protection

For you and your child's safety, the child protection system is standard in all socket group products.

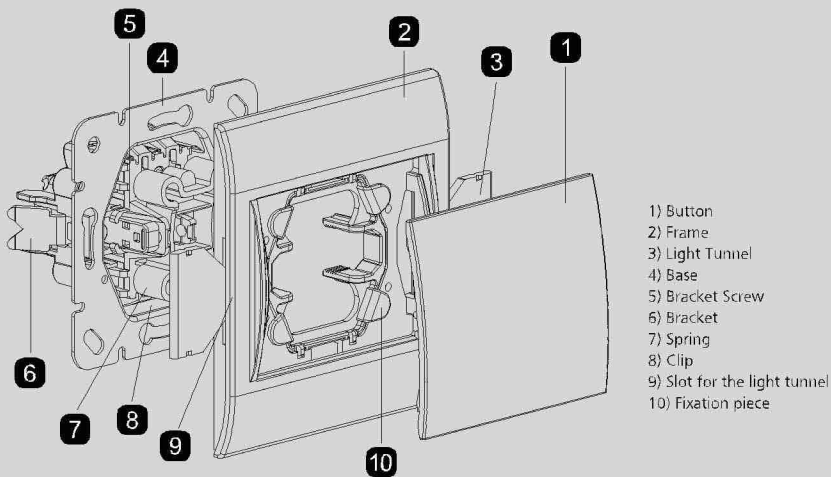


Fast and Easy Installation



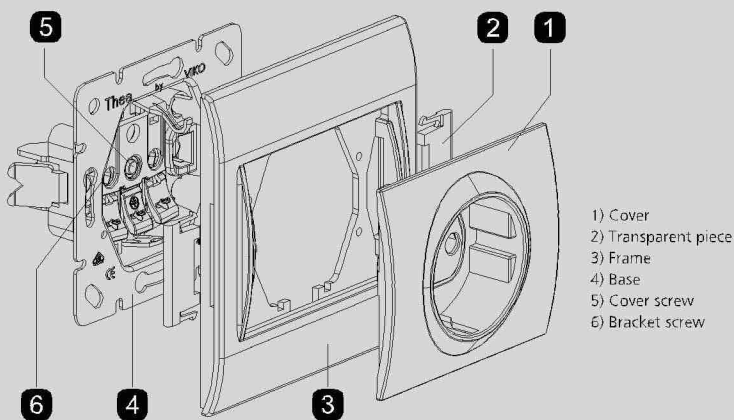
Thea, provides its users with very special conveniences during installation. In Thea products that uses fast connection assembly contact system, screw drivers are not required. It is enough to press latches in order to connect and disconnect cables. When the latches are released the cable is tightly by the springs. Thea, also provides practical solutions with regard to installation on the walls. The mounting of the mechanism in the flush box is accomplished by tightening the screws on the brackets that are placed in the body. Furthermore in the assembly of the frame and button to the mechanism a jagged fixation system is used instead of the screws.

Assembly Method



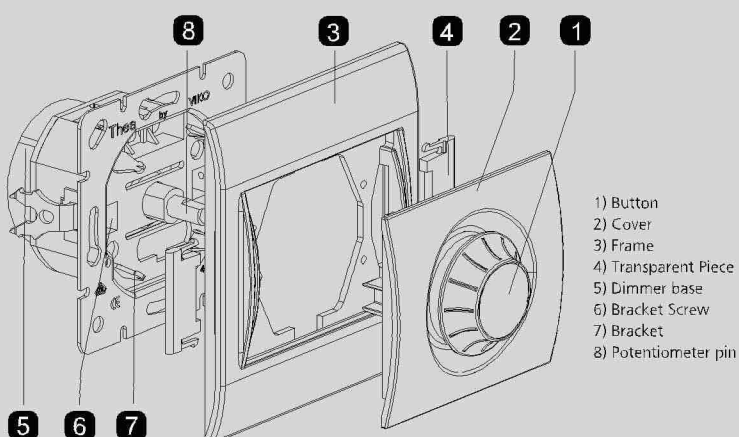
Switch Assembly Method

- Attach the cables to the connection slots placed on the base (4) by using the connection diagrams.
- Place the base (4), on the wall casing and take care for the springs (7) to face down in products with springs, following this, affix them by using the screws (5) on the brackets.
- Place the light tunnels (3) that you have purchased together with the cover, in the slots (9) placed on the frame (9) as you see in the diagram.
- Place the fixation piece on the frame (10).
- Assemble the frame (2) on the base (4) with the help of the clips (8) on the base (4).
- Complete the assembly by placing the button (1) in the empty space in the frame, as can be seen from the diagram.



Socket Assembly Method

- The outer insulation sleeves of phase, neutral and earth cables coming from the main line (in fast assembly products) will be pulled back up to 14 mm and following this process their connection to the base is established.
- The base is placed in the casing on the wall and the screws on the brackets will be tightened by using an appropriate screw driver.
- The transparent pieces are attached to their slots on the sides of the frame.
- The cover screw on the base will be removed (there are two cover screws on the dual socket and dual ground socket).
- The cover and the frame are placed on the base as can be seen from the diagram.
- By using the cover screw that is removed from the base, cover and the frame group are affixed to the base and as such the assembly process is completed.



Rotary Dimmer Assembly Method

- The depth of the casing in which the dimmer will be installed must at least be 45 mm.
- The cable connections are accomplished according to the diagram showing the connections.
- Dimmer base (5), is placed in the casing, and the screws on the brackets will be tightened by using an appropriate screw driver.
- The transparent pieces (4) are attached to their slots on the sides of the frame.
- The frame (3) is placed on the dimmer and the dimmer cover (2) is pushed in a manner that will correspond to the brackets (7) on the base.
- Dimmer button (1) is attached according to the direction of profile "D" of potentiometer pin (8).

Data - Numeric Socket Assembly Method

Data Socket Assembly

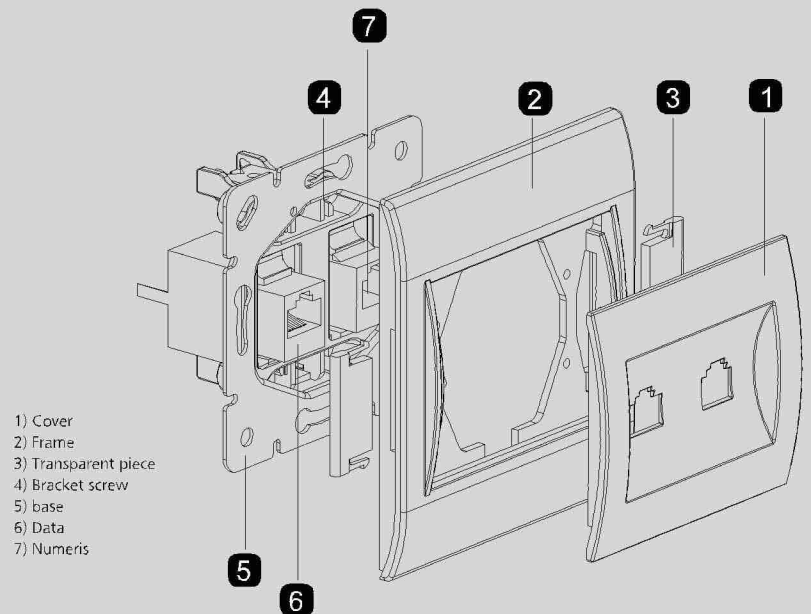
- Separate the Data socket (6) properly from the base (5) by flexing the brackets.
- Remove the metal display sleeve on the Data socket (6) by pulling and following that remove the connection protection cover (9) with the help of a screwdriver.
- Open up the outer sleeve of the cable extended from the data line by 4 mm. Make sure that the distance between the cable pairs (without the outer sleeve) is at a minimum by using a punch down tool.
- in line with EIA-T568A and EIA-T568B cable infrastructure, make the connection of the cables coming from the data communication line to the socket and in the process, please take care that the colors of the data line cable colors match the colors on the socket (A:EIA-T568A, B:EIA-T658B). After the screen cable is installed properly, fix the cable to the socket by using the clip on the socket.
- Place back the connection cover (9) and metal screen sleeve (8) and place the data socket in the slot on the base (5).

Numeric Telephone Socket Assembly

- Separate the Numeris socket (7) properly from the base (5) by flexing the brackets.
- Open up the Cable Connection Cover (11) by using a suitable screwdriver and after making the necessary cable connections, place the cover back.
- Place the Numeris socket (7) properly in its slot (5) in the base.

Assembly of the Base, Cover and Frame

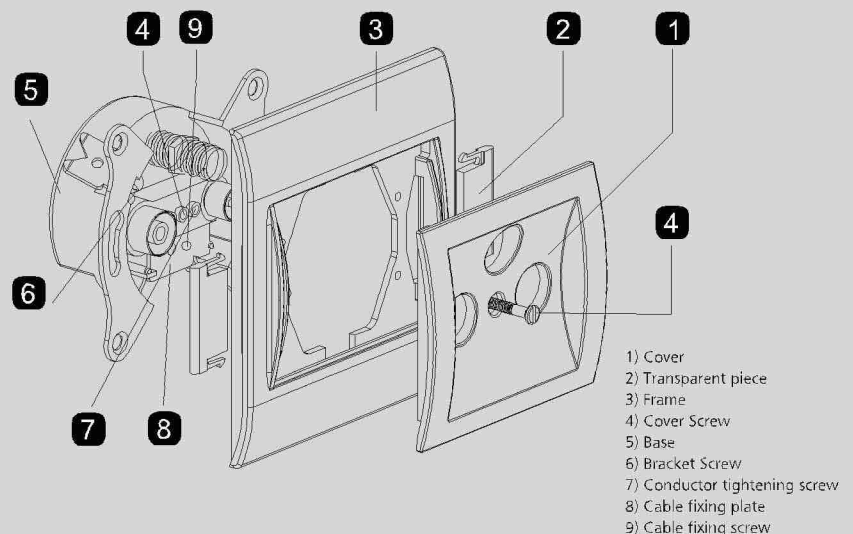
- After the base (5) connections of Data and Numeris sockets are made, place the base in its slot in the wall and by tightening the bracket screws (4) with an appropriate screwdriver mount it on the wall. After placing the transparent pieces (3) in the slots on the sides of the frame (2), place the top cover (1) on the base (5) in a manner that will correspond to the respective slots.



- 1) Cover
- 2) Frame
- 3) Transparent piece
- 4) Bracket screw
- 5) base
- 6) Data
- 7) Numeris

TV – Satellite Assembly Method

Remove the screw (9) on the cable fixation cover (8) by loosening it with an appropriate screwdriver. Take care that the ends of the coaxial cable going in and coming out from the casing on the wall is at least 15 cm. After leaving an allowance of 15 cm in the casing, remove the outer insulation sleeve from the ends and place the conductor in the middle, in its slot on the base. Following this, tighten the conductor fixation screws (7). Take care that especially the screening line in the cable (Passive Line) stays under the cover and that it touches the cover. Following this process, place the base (5) in the casing on the wall and fixate it by tightening the bracket screws (6). For upper group assembly, first of all remove the cover screw on the base (4) following this place the transparent pieces on the frame. As can be seen from the diagram, place the top cover on the frame in a manner that will correspond to the screw slot on the base and by using the cover screw that is removed from the base, as well as an appropriate screwdriver complete the assembly process by placing in and tightening the screw.



- 1) Cover
- 2) Transparent piece
- 3) Frame
- 4) Cover Screw
- 5) Base
- 6) Bracket Screw
- 7) Conductor tightening screw
- 8) Cable fixing plate
- 9) Cable fixing screw

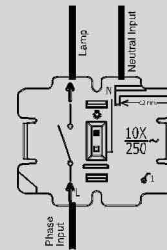
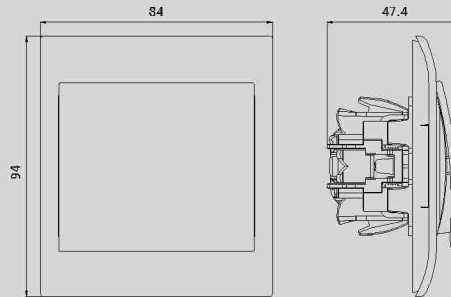
Technical Specifications and Connection Diagrams



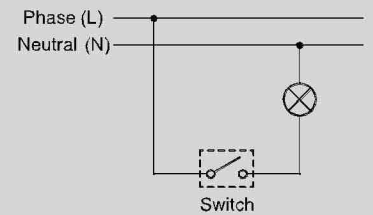
Technical Specifications

- Single pole, one-way, 10AX, 250~ switch.
- 5 mA side lighting modules with 100.000 hours (~11 years) of operating life. (LEDs)
- LEDs, which can operate with incandescent coil lamps, halogen lamps and low voltage halogen lamps.
- Blue-colored LEDs, which can operate by connecting neutral to the switch with fluorescent lamps and compact fluorescent lamps by connecting to neutral.
- With quick connection.

Switch



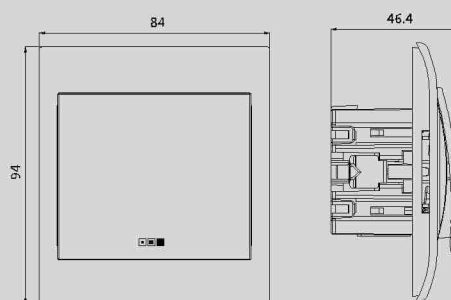
Connection Diagram



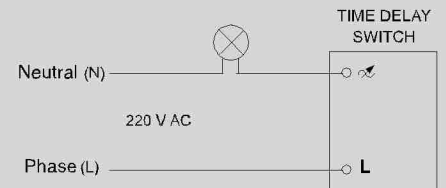
Technical Specifications

- LED is lighting with 5 mA, 40 mcd light lever operating capability using incandescent filament, halogen and incandescent coil lamps.
- Delayed response switch of 60-600 W for incandescent filament and halogen bar lamps.
- Delayed response switch of 100-500 W with low voltage incandescent coil lamps.
- Operating voltage: 220 V AC, 50-60 Hz.

Delay Switch



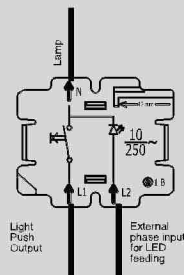
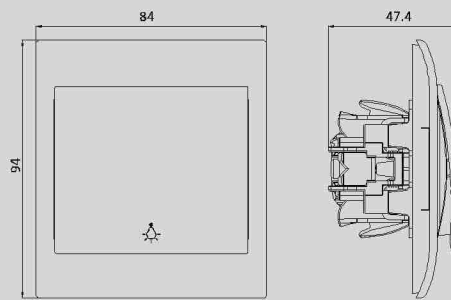
Connection Diagram



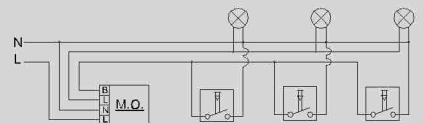
Technical Specifications

- Commands on lamp or a group of lamps from one location.
- 10 A, 250 V~
- Single pole, one-way.
- 5 mA blue color side lighting modules with 100.000 hours (~11 years) of operating life. (LEDs)
- With quick connection.

Light Switch



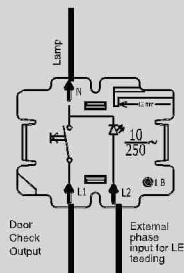
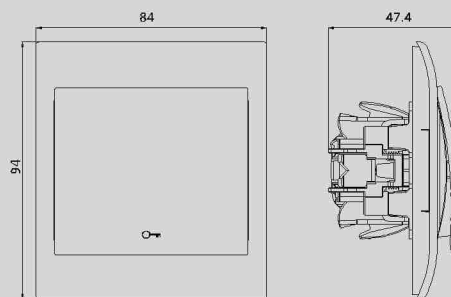
Connection Diagram



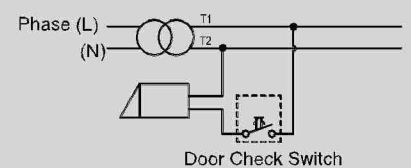
Technical Specifications

- Single pole, one-way, 10 A, 250 V~ switch.
- 5 mA, blue color side lighting modules that can operate with up to 24 V~ with external L2 connection for 100.000 hours (~11 years) of operating life. (LEDs)
- With quick connection.

Automatic door mechanism Switch



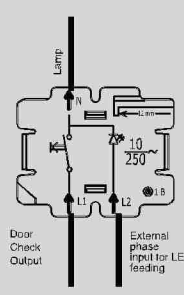
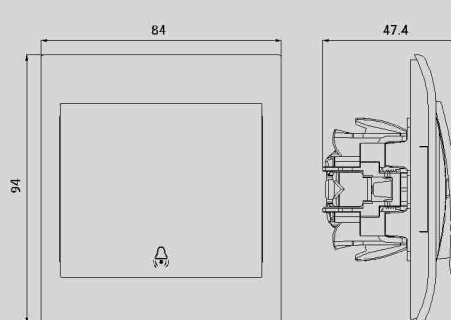
Connection Diagram



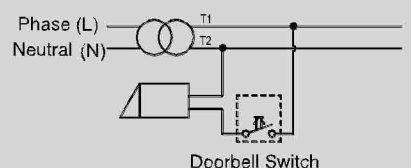
Technical Specifications

- Single pole, one-way, 10 A, 250 V~ switch.
- 5 mA, blue color side lighting modules that can operate with up to 24 V~ with external L2 connection for 100.000 hours (~11 years) of operating life. (LEDs)
- With quick connection.

Door Bell Switch



Connection Diagram

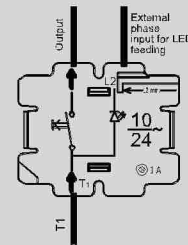
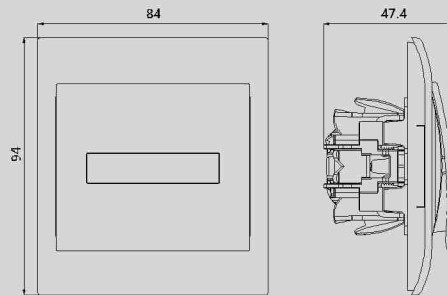




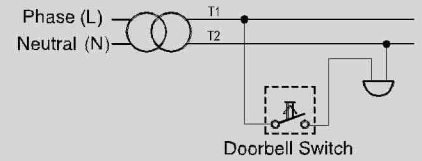
Technical Specifications

- Single pole, one-way, 10A, 250~ switch.
- 5 mA, blue color side lighting modules that can operate with up to 24 V~ with external L2 connection for 100.000 hours (~11 years) of operating life. (LEDs)
- LEDs that can operate with incandescent coil lamps, halogen lamps and low voltage halogen lamps.
- With quick connection.

Door Bell Switch with Label



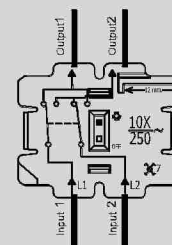
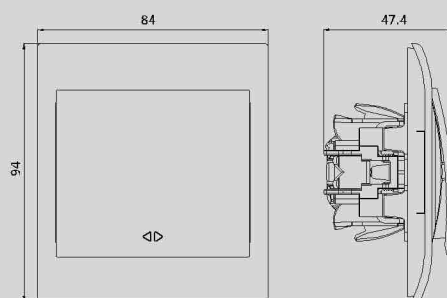
Connection Diagram



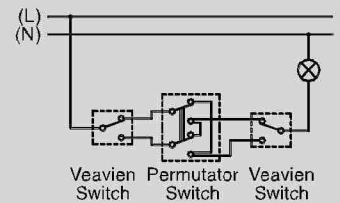
Technical Specifications

- Single pole, two-way, 10AX, 250~ switch.
- 5 mA, blue color side lighting modules that have 100.000 hours (~11 years) of operating life. (LEDs).
- LEDs that can operate with incandescent coil lamps, halogen lamps and low voltage halogen lamps.
- With quick connection.

Permutator



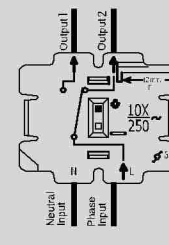
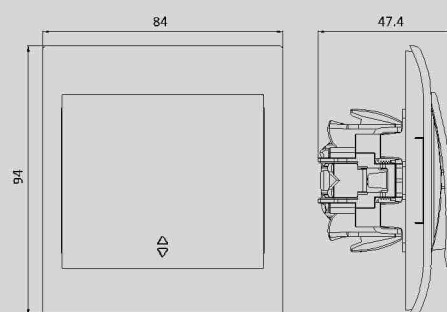
Connection Diagram



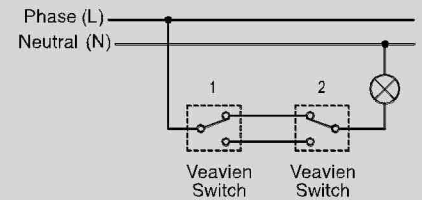
Technical Specifications

- Single pole, two-way, 10AX, 250~ switch.
- 5 mA, blue color side lighting modules that have 100.000 hours (~11 years) of operating life. (LEDs).
- LEDs that can operate with incandescent coil lamps, halogen lamps and low voltage halogen lamps.
- Blue-colored LEDs that can operate by a neutral connection to a switch with fluorescent lamps and compact fluorescent lamps.
- With quick connection.

Veavien



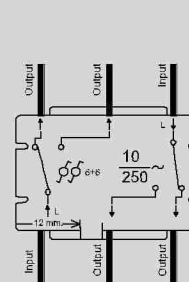
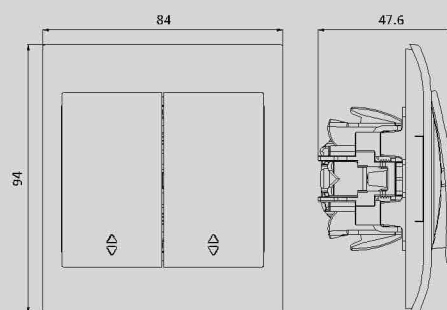
Connection Diagram



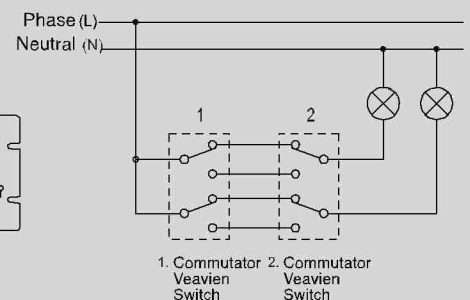
Technical Specifications

- 2 x single pole, two-way.
- 10AX, 250~ switch.
- With quick connection.

Commutator Veavien



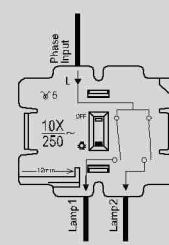
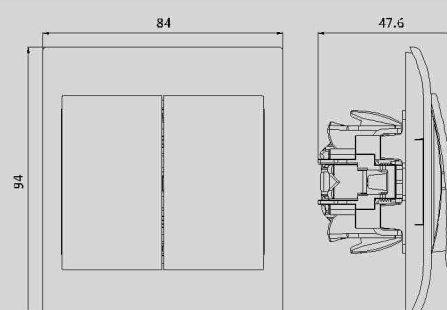
Connection Diagram



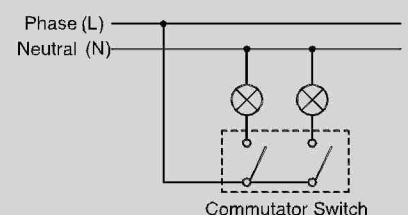
Technical Specifications

- Single pole, two-way, 10AX, 250~ switch.
- 5 mA, blue color side lighting modules that have 100.000 hours (~11 years) of operating life. (LEDs).
- LEDs that can operate with incandescent coil lamps, halogen lamps and low voltage halogen lamps.
- With quick connection.

Commutator



Connection Diagram



Technical Specifications and Connection Diagrams

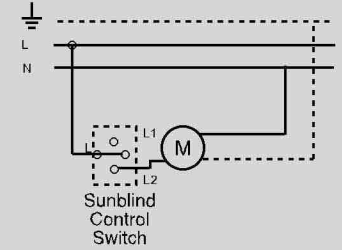
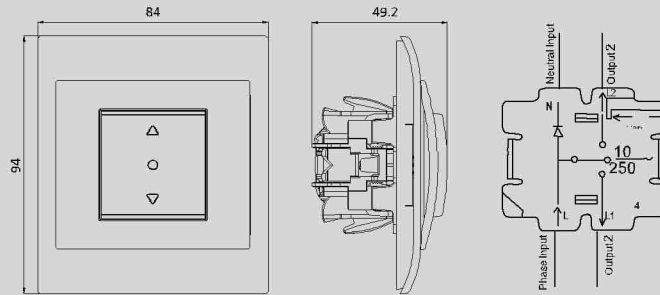


Technical Specifications

- Single pole, two-way, 10AX, 250~ switch.
- 5 mA, blue color side lighting modules that have 100.000 hours (~11 years) of operating life. (LEDs).
- With quick connection.

Single-button, Shutter Control Switch

Connection Diagram

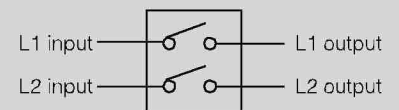
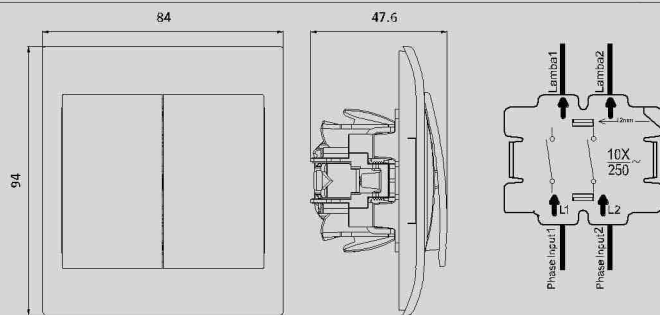


Technical Specifications

- Bipolar, two-way, 10AX, 250~ switch.
- With quick connection.

Dual Switch

Connection Diagram

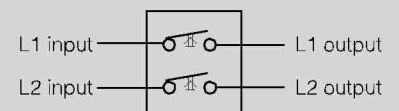
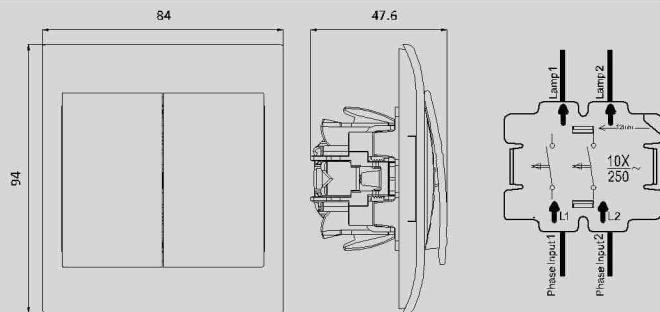


Technical Specifications

- Bipolar, two-way, 10AX, 250~ spring switch.
- With quick connection.

Impulse Commutator

Connection Diagram

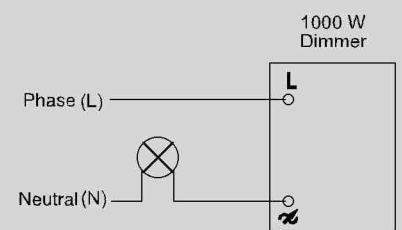
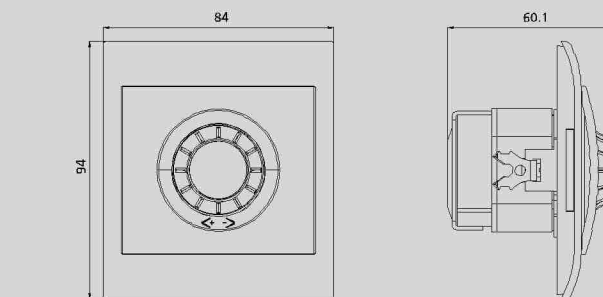


Technical Specifications

- Has filter. Does not affect radio waves.
- With ON/OFF switch system and with property to adjust the level of light.
- With fuse (5A).
- 220V~, 50-60Hz.
- For incandescent coil lamps and halogen bar lamps; Min. 60 Watt - Max. 1000 Watt.
- For low voltage incandescent coil lamps that operate with iron core transformer; Min. 100 Watt - Max. 800 Watt.

1000 W Rotary Dimmer

Connection Diagram

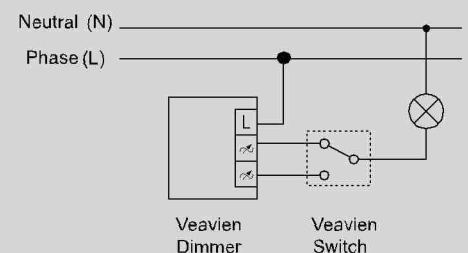
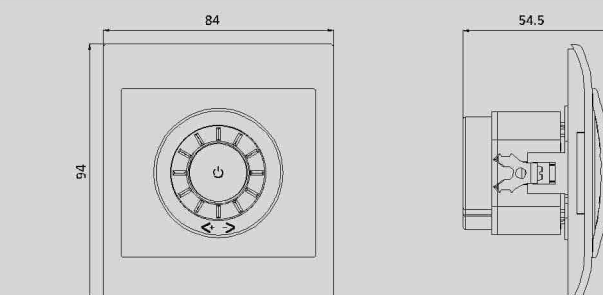


Technical Specifications

- Has filter. Does not affect radio waves.
- With ON/OFF switch system and with property to adjust the level of light.
- With fuse (2.5A).
- 220V~, 50-60Hz.
- For incandescent coil lamps and bar halogen lamps; Min. 60 Watt - Max. 500 Watt.
- For low voltage incandescent coil lamps that operate with iron core transformer; Min. 100 Watt - Max. 400 Watt.

Veavien Dimmer

Connection Diagram

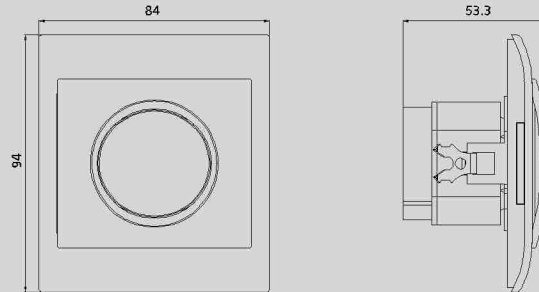




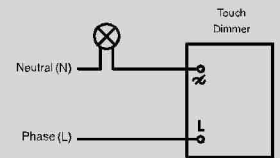
Technical Specifications

- Has filter. Does not affect radio waves.
- With touch-sensitive ON/OFF system and property to adjust the level of light.
- With fuse (2.5A).
- 220V~, 50-60Hz.
- For incandescent coil lamps and bar halogen lamps; Min. 60 Watt - Max. 500 Watt.
- For low voltage incandescent coil lamps that operate with iron core transformer; Min. 100 Watt - Max. 400 Watt.
- Complies with the installation of deep case structure.

Touch-Sensitive Dimmer



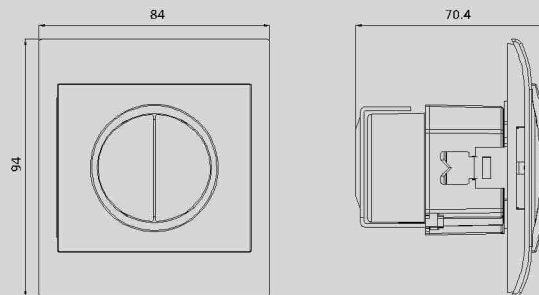
Connection Diagram



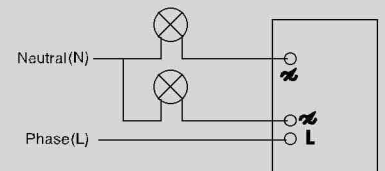
Technical Specifications

- Has filter. Does not affect radio waves.
- With touch-sensitive ON/OFF system and property to adjust the level of light.
- With fuse (5A).
- 220V~, 50-60Hz.
- For incandescent coil lamps and bar halogen lamps; Min. 60 Watt - Max. 2 x 400 Watt.
- For low voltage incandescent coil lamps that operate with iron core transformer; Min. 100 Watt - Max. 2 x 400 Watt.
- Complies with the installation of deep case structure.

Touch-sensitive Commutator Dimmer



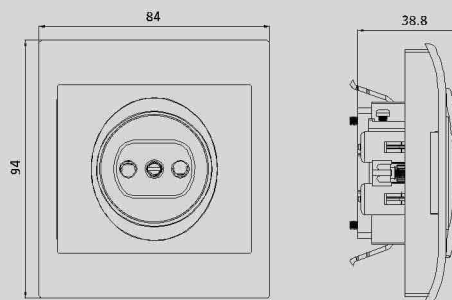
Connection Diagram



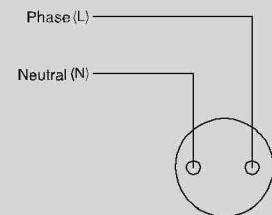
Technical Specifications

- 16 A, 250V~
- Bipolar.
- Child safe.
- With quick connection.

Socket



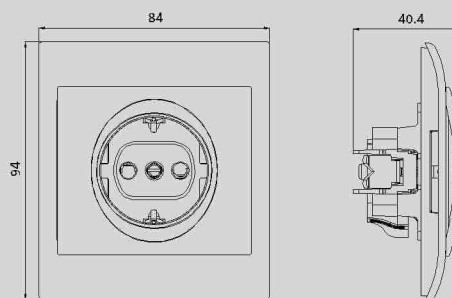
Connection Diagram



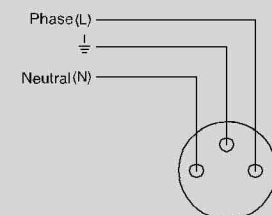
Technical Specifications

- 16 A, 250V~
- Bipolar and with ground selector.
- Child safe.
- With quick connection.

Earthed Socket



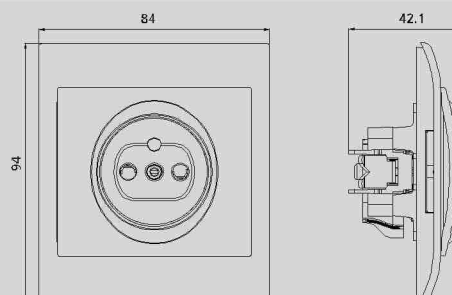
Connection Diagram



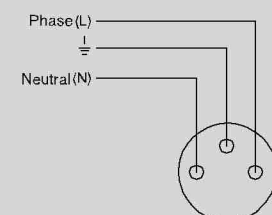
Technical Specifications

- 16 A, 250V~
- Bipolar and with ground selector.
- Child safe.
- With quick connection.

UPS Earthed socket



Connection Diagram



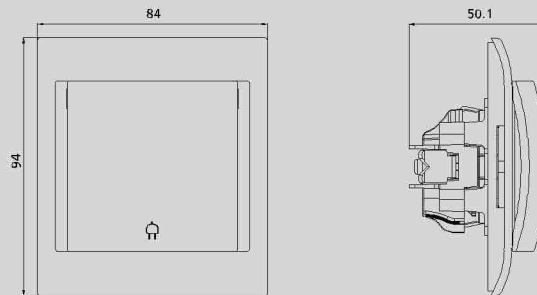
Technical Specifications and Connection Diagrams



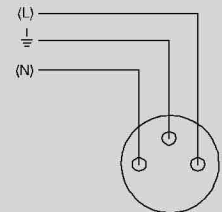
Technical Specifications

- 16 A, 250V~
- Bipolar.
- Child safe.
- With quick connection.

Earthed socket with Lid



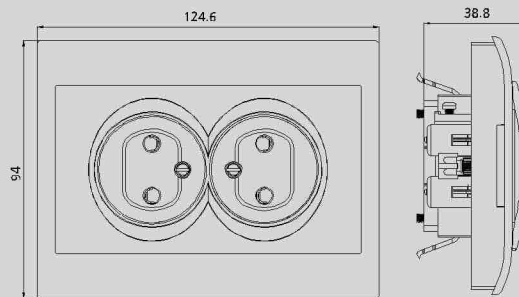
Connection Diagram



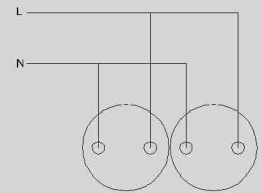
Technical Specifications

- 16 A, 250V~
- Bipolar.
- Child safe.
- With quick connection.

Double Socket



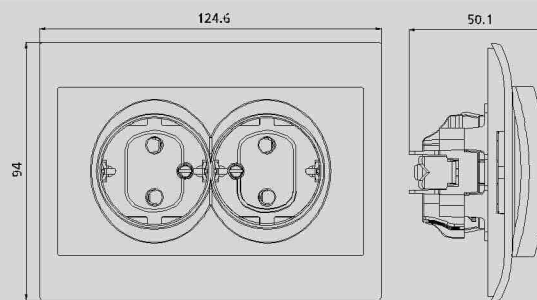
Connection Diagram



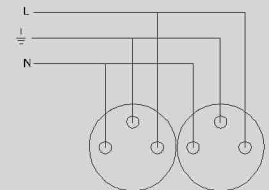
Technical Specifications

- 16 A, 250V~
- Bipolar and with ground selector.
- Child safe.
- With quick connection.

Double Earthed Socket



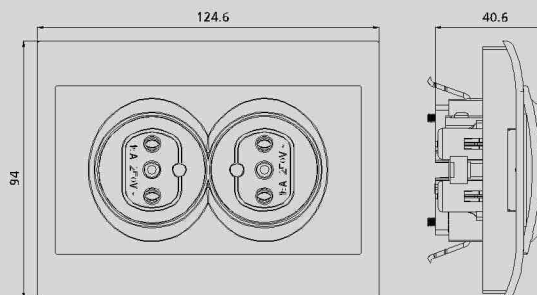
Connection Diagram



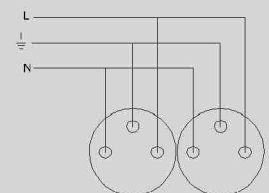
Technical Specifications

- 16 A, 250V~
- Bipolar and with ground selector.
- Child safe.
- With quick connection.

Double UPS Socket with Earth



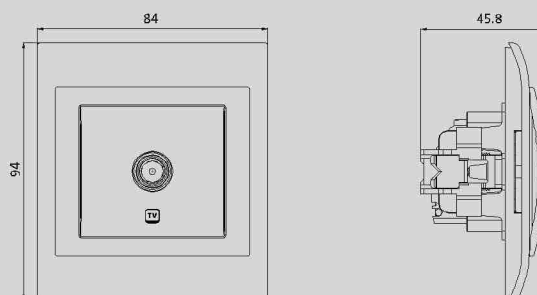
Connection Diagram



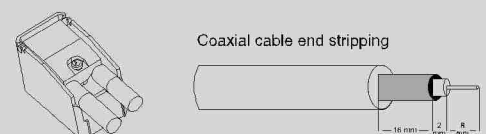
Technical Specifications

- CE approved.
- Compatible with common antenna and CATV.
- Is not affected from interference signals coming from the air due to its screening property.
- Ease-of-installation provided by its rear hinge cover property.
- Can be used with VHF, UHF and S bands.
- It has variations of 8 dB, 10 dB, 12 dB, 15 dB, 18 dB and 20 dB with TRANSITION, FINITE and LOW RESISTANCE (no-loss).

TV Socket



Connection Diagram



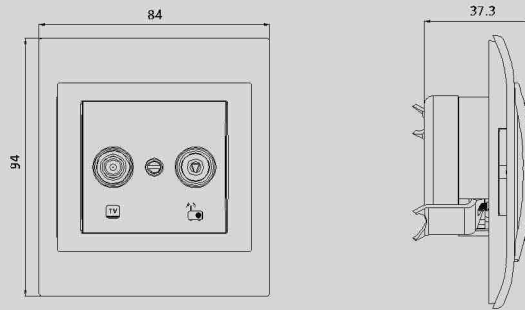
Coaxial cable end stripping



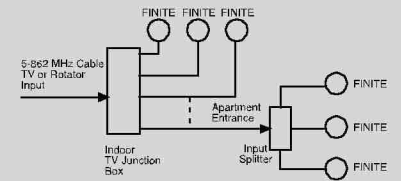
Technical Specifications

- CE approved.
- Compatible with common antenna and CATV.
- Is not affected from interference signals coming from the air due to its screening property.
- Ease-of-installation provided by its rear hinge cover property.
- Can be used with VHF, UHF and S bands.
- It has variations of 8 dB, 10 dB, 12 dB, 15 dB, 18 dB and 20 dB TRANSITION, FINITE and LOW RESISTANCE (no-loss).

TV – Radio Socket



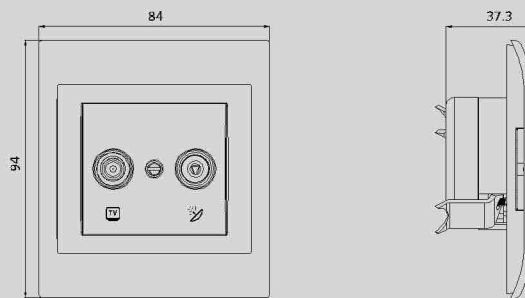
Connection Diagram



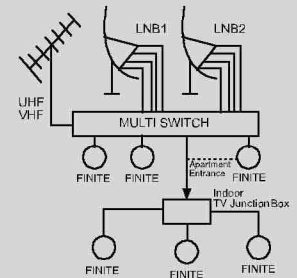
Technical Specifications

- CE approved.
- Compatible with common antenna and SAT.
- F socket output with for satellite connection.
- Screening at 470 MHz up to 375 dB; at 470-862 MHz up to 365 dB; 950-2400 MHz up to 355 dB.
- Can be used with thin coaxial cables and coaxial cables with external insulation of up to 5.5 mm.
- Compliant with IEC 169-2, EN50083-1/A1, EN50083-2/A1.
- With quick connection.

Satellite Socket (TV-SAT)



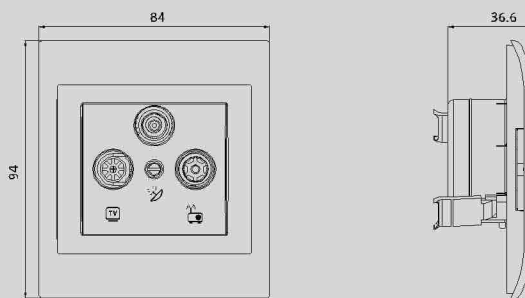
Connection Diagram



Technical Specifications

- CE approved.
- Compatible with common antenna and SAT systems.
- F socket output with for satellite connection.
- Screening at 470 MHz up to 375 dB; at 470-862 MHz up to 365 dB; 950-2400 MHz up to 355 dB.
- Can be used with thin coaxial cables and coaxial cables with external insulation of up to 5.5 mm.
- Compliant with IEC 169-2, EN50083-1/A1, EN50083-2/A1.
- With quick connection.

Satellite Socket (TV-SAT-RD)



Connection Diagram

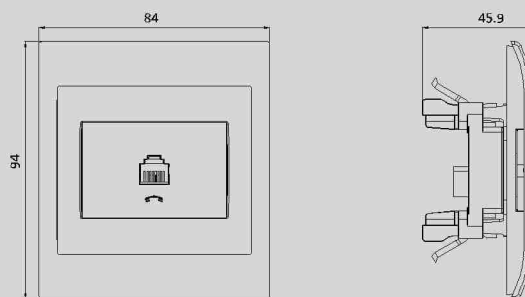
Max. dB Losses	f/MHz	5-47	47-470	470-862	862-1000
Transition Loss	Kayı siz	1	1,5	2,5	2,5
	8	1	1,5	2,5	3
	10	1	1,5	2,5	2,5
	12	1	1,5	2	2
	15	1	1	1,5	2
	18	1	1	1	2
Subscriber Loss	Sonlu	0	0	1	4
	Kayı	0	0	1	4
	8	6	8	8	8
	10	9	10	10	11
	12	12	12	12	14
	15	15	15	15	16
	18	18	18	19	
	20	21	21	21	24



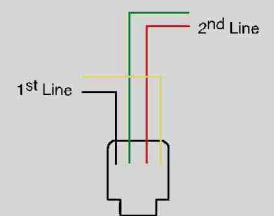
Technical Specifications

- Can be used with easy-to-install numeris sockets RJ-11 connectors.
- With 4 selectors.
- Used for two telephone lines.

Numeric Telephone Socket



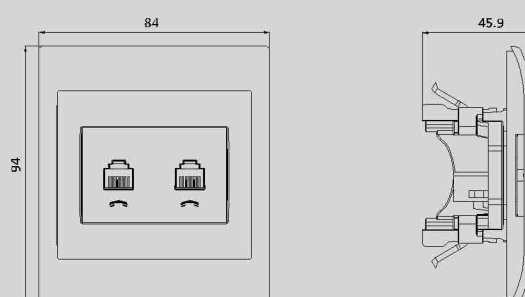
Connection Diagram



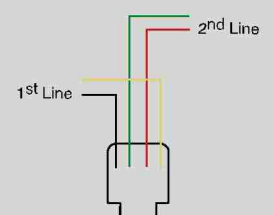
Technical Specifications

- Can be used with easy-to-install numeris sockets RJ-11 connectors.
- With 4+4 selector.
- Each connector is used for two telephone lines.

Double Numeric Telephone Socket



Connection Diagram



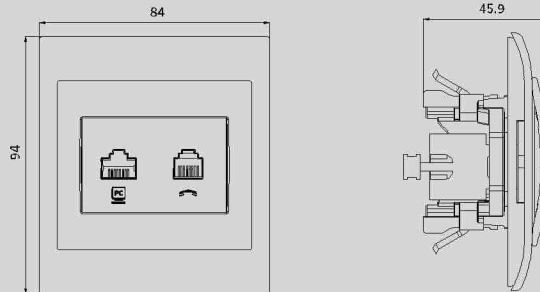
Technical Specifications and Connection Diagrams



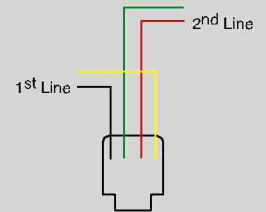
Technical Specification

- Easy to install numeris sockets are compliant with RJ-11 connectors.
- Data sockets metal screening cover provides screening specification against interference coming through the air.
- Compliant with Cat6 Base-T, 1000 Base-T (Gigabit Ethernet), ATM and FDDI use.
- Data sockets are compliant for EIA 568 A/B standards and RJ-45 connectors.
- Usable conductor diameter in data sockets of 22-26 AWG (from 0.40 mm up to 0.64-mm diameter) may be used.

Data - Numeric Telephone Socket



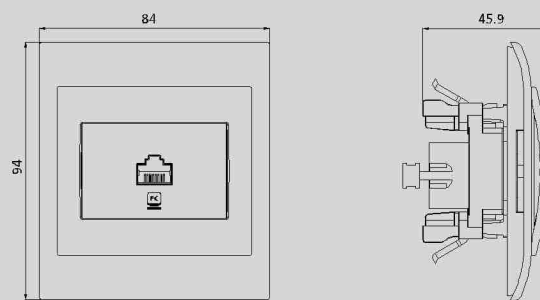
Connection Diagram



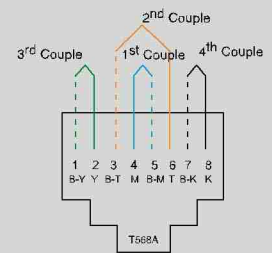
Technical Specifications

- Easy-to-install numens sockets are compliant with RJ-11 connectors.
- Data sockets metal screening cover provides screening specification against intereference coming through the air.
- Compliant with Cat6 data sockets 250 MHz data communication, 10 Base-T, 100 Base-T, 1000 Base-T (Gigabit Ethernet), ATM and FDDI use.
- Data sockets are compliant for EIA 568 A/B standards and RJ-45 connectors.
- Usable conductor diameter in data sockets of 22-26 AWG (from 0.40-mm up to 0.64-mm diameter) may be used.

Data Socket



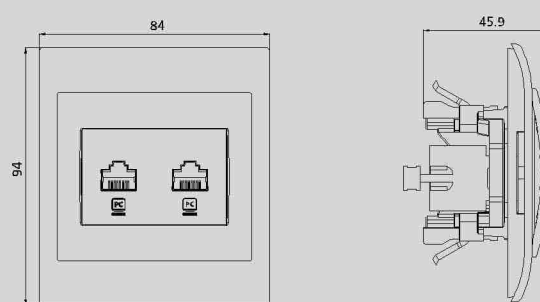
Connection Diagram



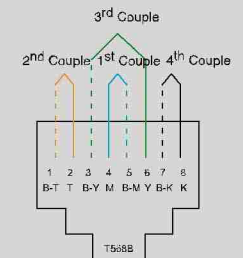
Technical Specifications

- Easy-to-install numens sockets are compliant with RJ-11 connectors.
- Data sockets metal screening cover provides screening specification against interference coming through the air.
- Compliant with Cat5E, Cat6 data sockets 250 MHz data communication, 10 Base-T, 100 Base-T, 1000 Base-T (Gigabit Ethernet), ATM and FDDI use.
- Data sockets are compliant for EIA 568 A/B standards and RJ-45 connectors.
- Usable conductor diameter in data sockets of 22-26 AWG (from 0.40-mm up to 0.64-mm diameter) may be used.

Double Data Socket



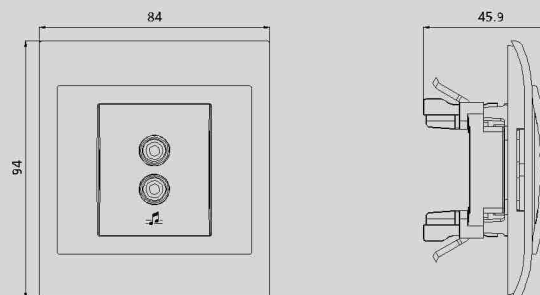
Connection Diagram



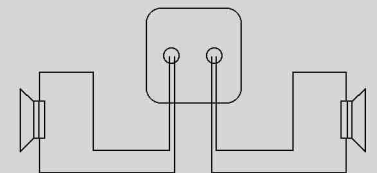
Technical Specifications

- Two units of music broadcast socket.
- Distance of the centers is 14 mm.
- Soldered connection ends.

Audio (Loudspeaker) Socket



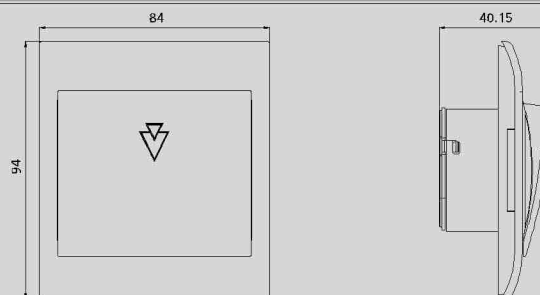
Connection Diagram



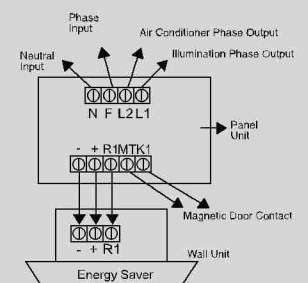
Technical Specifications

- Used to prevent serious energy waste and provide security especially in hotel rooms and buildings for general use.
- Energy saver card provides power to the system when placed into the slot in the wall unit (Certain models in the wall unit have lighting). Following the removal of the card from the its slot in the wall, system's power will be cut after 15 to 20 seconds.
- devices like mini-bar that require constant power are left outside the coverage of the system.
- The system has the by-pass feature. (When the Energy Saver malfunctions, it does not cut the power.)
- Panel unit operating current is 175-250V.
- There is 12/24V current in the wall unit (apply 220V).
- There are 2 units of 15A relays on the relay unit mounted at the fuse output. One feeds the lights, whereas the other feeds the air-conditioner.

Energy Saver



Connection Diagram

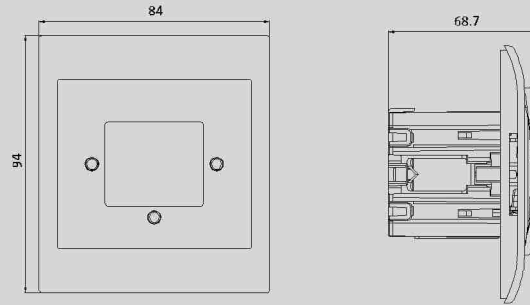




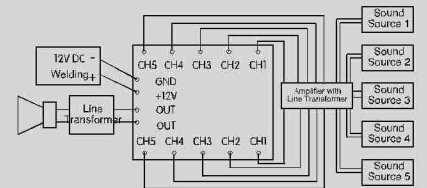
Technical Specifications

- LCD screen with blue light.
- 5-channel selection, 5-level volume adjustment.
- With 1.5 VA line transformer. (Compliant with line transformer systems)
- Loudspeaker support of 4x100 W with line transformer.
- Works with 12 V DC maximum 60 mA feed.
- Compliant with deep casing installation.

Audio Switch with LCD Display



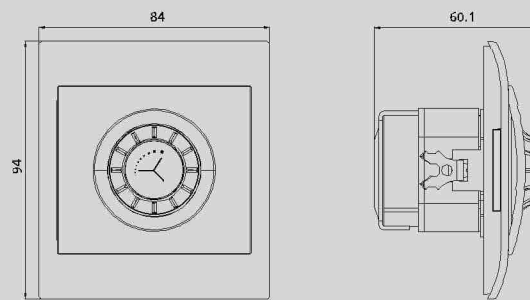
Connection Diagram



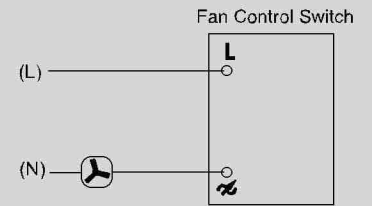
Technical Specifications

- With ON/OFF switch system and adjustable lighting level.
- With fuse (5A).
- 220~, 50-60Hz.
- 300W.

Fan Control Switch



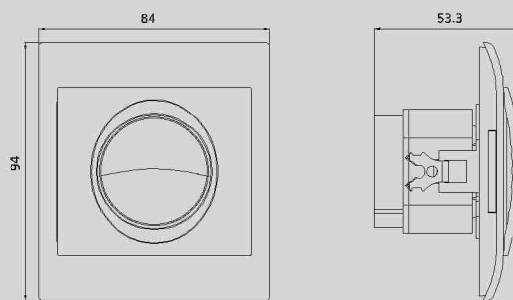
Connection Diagram



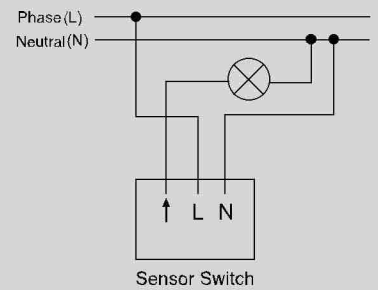
Technical Specifications

- With Adjustable Distance: Sensing distance can be adjusted up to 8 m.
- Day/Night adjustment: May not light up in the morning upon sensing movement.
- With time adjustment: The on period when it detects movement can be adjusted.
- 150-degree perception angle.
- 1000W for normal lamp load.
- 800 VA for inductive loads.
- CE compliant.
- Quick connection cable inlet slots.

Movement Detector



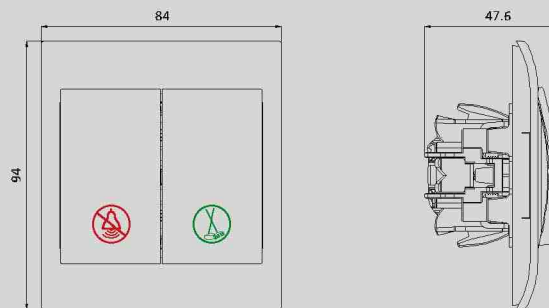
Connection Diagram



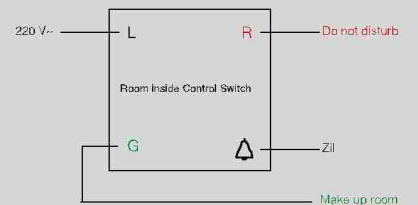
Technical Specifications

- 10 A, 250 V~
- Controls the external lighting unit in the hotel warning system.
- When the settings on it are selected, the corresponding "do not disturb" or "make up room" light warnings will be activated.
- When the "Do not disturb" button is pressed, the buzzer will not operate.

Hotel Room Warning Unit Commutator

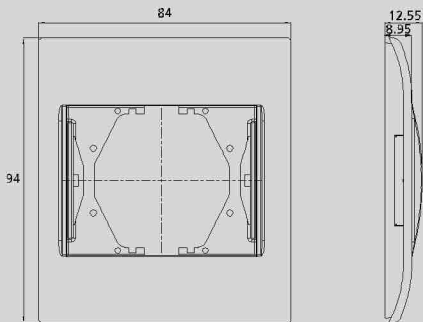


Connection Diagram

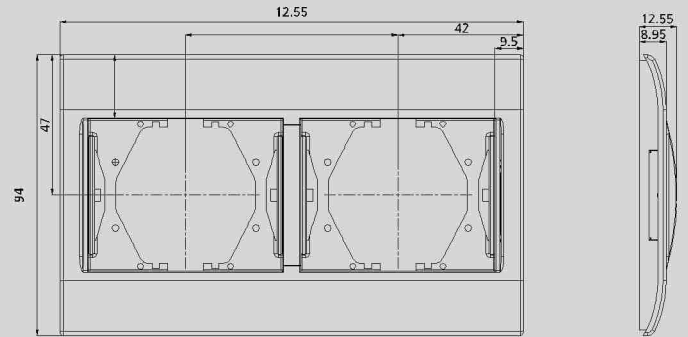


Frame Measurements

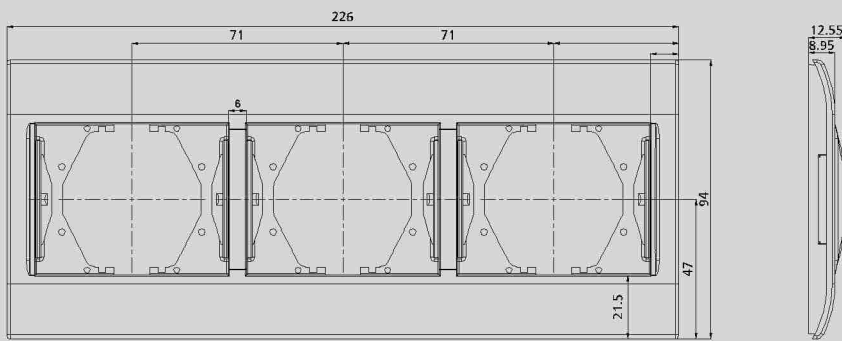
Single frame



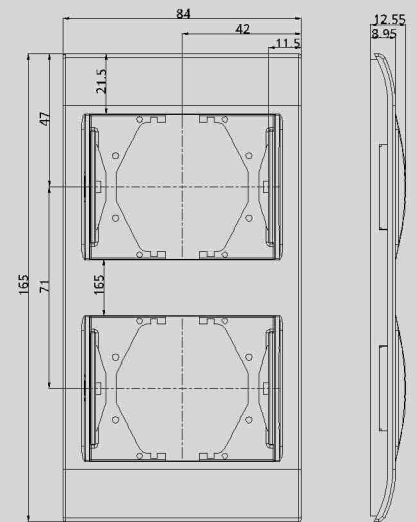
Double horizontal frame



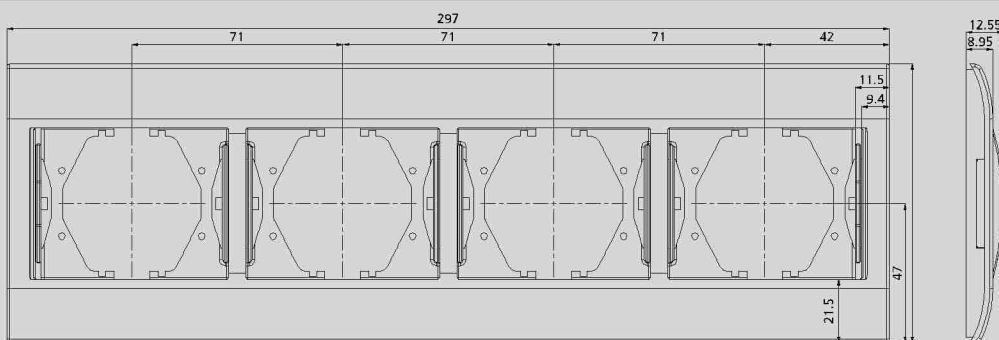
Three gang horizontal frame



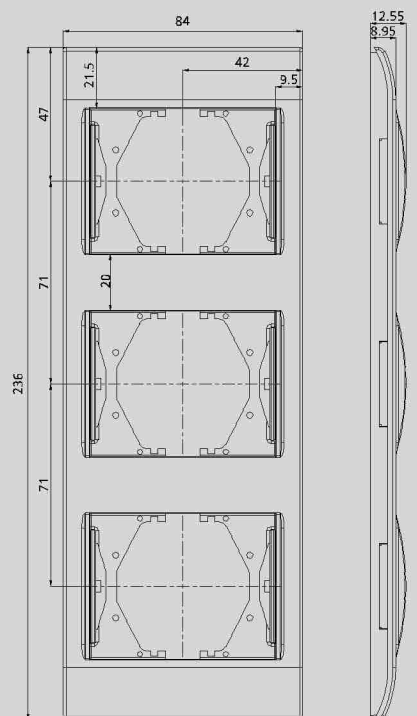
Double vertical frame



Four gang horizontal frame



Three gang vertical frame



Code and Packaging Information

Button, Cover					
Order Code	Product Name	Number of units in the box	Number of Units in the Parcel	Parcel Dimension (mm)	Parcel Weight (gr.)
9076XX01	SWITCH BUTTON	10	270	400x305x245	8.795
9076XX02	COMMUTATOR BUTTON	10	270	400x305x245	8.800
9076XX03	LIGHT BUTTON	10	270	400x305x245	8.800
9076XX04	VEAVIEN BUTTON	10	270	400x305x245	8.800
9076XX05	AUTOMATIC DOOR MECHANISM BUTTON	10	270	400x305x245	8.800
9076XX06	BELL SWITCH BUTTON	10	270	400x305x245	8.800
9076XX09	TV SOCKET COVER	10	140	400x305x245	4.900
9076XX12	EARTHED SOCKET WITH LID COVER	10	140	400x305x245	6.620
9076XX13	SINGLE NUMERIS COVER	10	140	400x305x245	4.725
9076XX17	COMMUTATOR VEAVIEN BUTTON	10	270	400x305x245	8.800
9076XX18	EMERGENCY WARNING BUTTON	10	270	400x305x245	8.800
9076XX20	ROTARY DIMMER COVER	10	140	400x305x245	5.225
9076XX21	TV-RADIO SOCKET COVER	10	140	400x305x245	7.950
9076XX27	BELL SWITCH BUTTON WITH LABEL	10	270	400x305x245	8.800
9076XX29	ISRAEL TYPE EARTHED SOCKET COVER	10	140	400x305x245	7.750
9076XX31	PERMUTATOR BUTTON	10	270	400x305x245	8.800
9076XX32	SINGLE DATA SOCKET COVER	10	140	400x305x245	4.725
9076XX33	DUAL NUMERIC SOCKET COVER	10	140	400x305x245	4.650
9076XX34	DUAL DATA SOCKET COVER	10	140	400x305x245	4.650
9076XX35	DATA+NUMERIC SOCKET COVER	10	140	400x305x245	4.650
9076XX37	AUDIO SOCKET COVER	10	140	400x305x245	4.120
9076XX40	VEAVIEN DIMMER COVER	10	140	400x305x245	5.225
9076XX41	SATELLITE SOCKET COVER (SAT-TV-RD)	10	140	400x305x245	7.900
9076XX42	CHILD SAFE EARTHED SOCKET COVER	10	140	400x305x245	4.930
9076XX43	CHILD SAFE SOCKET COVER	10	140	400x305x245	8.300
9076XX45	CHILD SAFE UPS EARTHED SOCKET COVER	10	140	400x305x245	4.810
9076XX51	ENERGY SAVER COVER	10	270	400x305x245	8.250
9076XX54	AUDIO SWITCH COVER WITH LCD	10	140	400x305x245	8.150
9076XX55	CHILD SAFE DOUBLE SOCKET COVER	10	100	400x305x245	5.300
9076XX56	CHILD SAFE DUAL EARTHED SOCKET COVER	10	100	400x305x245	5.550
9076XX57	CHILD SAFE UPS DOUBLE EARTHED SOCKET COVER	10	100	400x305x245	5.300
9076XX70	DELAY SWITCH BUTTON	10	270	400x305x245	8.800
9076XX71	COMMUTATOR TOUCH-SENSOR DIMMER	10	140	400x305x245	9.250
9076XX72	SINGLE BUTTON BLIND SWITCH	10	270	400x305x245	9.250
9076XX76	TOUCH-SENSOR DIMMER	10	140	400x305x245	9.250
9076XX77	CABLE OUTLET COVER	10	270	400x305x245	9.170
9076XX82	CHANNEL SELECTION SWITCH COVER	10	140	400x305x245	5.250
9076XX84	AUDIO SWITCH COVER	10	140	400x305x245	6.750
9076XX85	SATELLITE SOCKET COVER (TV-SAT)	10	140	400x305x245	8.250
9076XX90	MOVEMENT DETECTOR COVER	10	140	400x305x245	4.750
9076XX98	FAN CONTROL SWITCH	10	140	400x305x245	5.225

XX Code stands for:

XX= 10 BLACK	XX= 11 FUME	XX= 12 CLARET	XX= 13 DORE
XX= 15 WHITE	XX= 16 GREEN	XX= 17 ORANGE	XX= 18 LILAC

YY Code stands for:

01= CHROME MATT - LILAC	21= ANTIQUE COPPER - BLACK	35= GOLD MATT - BLACK
02= INOX MATT - DORE	22= ANTIQUE - CLARET	36= UNA - FUME
03= INOX - CLARET	23= ANTIQUE - BLACK	37= UNA - WHITE
04= INOX - GREEN	24= GOLD MATT - DORE	38= CHROME - FUME
05= GOLD - DORE	25= GOLD - BLACK	39= CHROME - WHITE
07= NATURAL - WHITE	26= INOX MATT - FUME	40= INOX GOLD - WHITE
12= ANTIQUE - DORE	27= INOX MATT - WHITE	41= INOX GOLD - BLACK
15= CHROME MATT - WHITE	28= INOX - FUME	42= INOX GOLD - DORE
16= GOLD - CLARET	29= INOX - WHITE	43= INOX GOLD - CLARET
17= GOLD MATT - CLARET	31= INOX - LILAC	46= INOX - DORE
18= NATURAL - FUME	32= INOX - ORANGE	47= INOX UNA - FUME
19= ANTIQUE COPPER - CLARET	34= CHROME MATT - FUME	48= INOX UNA - WHITE

Mechanism					
Order Code	Product Name	Number of units in the box	Number of Units in the Parcel	Parcel Dimension (mm)	Parcel Weight (gr.)
90500501	SWITCH	10	80	400x305x245	7.640
90500502	COMMUTATOR	10	80	400x305x245	7.640
90500503	LIGHT	10	80	400x305x245	7.565
90500504	VEAVIEN	10	80	400x305x245	7.220
90500505	AUTOMATIC DOOR + BELL SWITCH	10	80	400x305x245	7.650
90500513	NUMERIC SOCKET	10	80	400x305x245	6.000
90500517	COMMUTATOR VEAVIEN	10	80	400x305x245	7.565
90500518	IMPULSE COMMUTATOR	10	80	400x305x245	7.420
90500521	TV - RADIO END	10	80	400x305x245	9.560
90500522	TV - RADIO THROUGH-PASS 20 dB	10	80	400x305x245	10.090
90500523	TV - RADIO THROUGH-PASS 7 dB	10	80	400x305x245	9.640
90500524	TV - RADIO THROUGH-PASS 10 dB	10	80	400x305x245	9.640
90500525	TV - RADIO THROUGH-PASS 12 dB	10	80	400x305x245	9.540
90500526	TV - RADIO THROUGH-PASS 15 dB	10	80	400x305x245	9.640
90500527	LABELED BELL SWITCH	10	80	400x305x245	7.490
90500529	ISRAEL TYPE EARTHED SOCKET	10	80	400x305x245	7.045
90500531	PERMUTATOR	10	80	400x305x245	7.825
90500532	SINGLE DATA SOCKET	10	80	400x305x245	6.885
90500533	DOUBLE NUMERIC	10	80	400x305x245	6.600
90500534	DOUBLE DATA SOCKET	10	80	400x305x245	8.015
90500535	DATA+NUMERIS	10	80	400x305x245	7.280
90500537	AUDIO SOCKET	10	80	400x305x245	6.150
90500540	VEAVIEN DIMMER	6	48	400x305x245	9.295
90500541	SATELLITE SOCKET END (SAT-TV-RD)	10	80	400x305x245	10.550
90500542	EARTHED SOCKET	10	80	400x305x245	7.045
90500543	SOCKET OUTLET	10	80	400x305x245	6.585
90500544	DUAL SWITCH	10	80	400x305x245	7.420
90500545	UPS EARTHED SOCKET	10	80	400x305x245	7.090
90500546	SATELLITE SOCKET THROUGHPASS (SAT-TV-RD)	10	80	400x305x245	10.530
90500560	TV SOCKET 20 dB	10	80	400x305x245	10.035
90500561	TV SOCKET 8 dB	10	80	400x305x245	10.035
90500562	TV SOCKET 12 dB	10	80	400x305x245	10.105
90500563	TV SOCKET 18 dB	10	80	400x305x245	10.040
90500564	TV SOCKET END	10	80	400x305x245	10.045
90500565	TV SOCKET WITHOUT LOSS	10	80	400x305x245	10.015
90500569	1000 W ROTARY DIMMER	6	48	400x305x245	8.565
90500570	DELAY SWITCH	10	80	400x305x245	6.285
90500571	COMMUTATOR TOUCH-SENSOR DIMMER	6	48	400x305x245	10.720
90500572	SINGLE BUTTON BLIND	10	80	400x305x245	7.620
90500573	ENERGY SAVER	10	80	400x305x245	4.715
90500576	TOUCH-SENSOR DIMMER	6	48	400x305x245	7.420
90500577	CHILD SAFE DOUBLE SOCKET	10	80	400x305x245	6.415
90500578	CHILD SAFE DOUBLE EARTHED SOCKET	6	48	400x305x245	5.020
90500579	CHILD SAFE DOUBLE UPS SOCKET	6	48	400x305x245	5.230
90500580	CABLE OUTLET COVER	10	80	400x305x245	5.895
90500581	AUDIO SWITCH WITH LCD	6	48	400x305x245	9.870
90500582	CHANNEL SELECTION SWITCH	6	48	400x305x245	8.265
90500583	EMERGENCY WARNING BUTTON	10	80	400x305x245	7.685
90500584	AUDIO SWITCH (WITH TRANSFORMER)	6	48	400x305x245	9.500
90500585	SATELLITE SOCKET END (TV-SAT)	10	80	400x305x245	10.545
90500586	SATELLITE SOCKET 8 dB (TV-SAT)	10	80	400x305x245	10.545
90500587	SATELLITE SOCKET 11 dB (TV-SAT)	10	80	400x305x245	10.545
90500589	MOVEMENT DETECTOR	10	80	400x305x245	7.500
90500598	FAN CONTROL SWITCH	6	48	400x305x245	5.450

Frames

90771YY1	SINGLE FRAME	5	160	400x305x245	18.000
90771YY2	DOUBLE HORIZONTAL FRAME	5	70	400x305x245	12.000
90771YY3	DOUBLE VERTICAL FRAME	5	70	400x305x245	12.000
90771YY4	THREE GANG HORIZONTAL FRAME	5	60	400x305x245	18.000
90771YY5	THREE GANG VERTICAL FRAME	5	60	400x305x245	18.000
90771YY6	FOUR GANG HORIZONTAL FRAME	5	50	400x305x245	18.115
90771YY8	DOUBLE FLUSH MOUNT FRAME	5	90	400x305x245	15.000
90771YY9	SINGLE FRAME WITH LCD	5	160	400x305x245	18.115